



Female header with angled solder pins; 2-pole; Pin spacing 3.5 mm / 0.138 in

Item No.: 2091-1322



Female header with angled solder pins; 2-pole; Pin spacing 3.5 mm / 0.138 in

Marking

RoHS ✓
Compliant

Business data

Supplier	WAGO
Item no.	2091-1322
GTIN / EAN	4050821160878
Content	1

Notes

Item description: Touch-proof PCB outputs Easy-to-identify PCB inputs and outputs Coding option available Safety information 1: The picoMAX® pluggable connection system is designed without breaking capacity for compliance with DIN EN 61984. When used as intended, MCS Connectors shall not be connected/disconnected when live or under load. The circuit design should ensure header pins, which can be touched, are not live when unmated.

Technical data

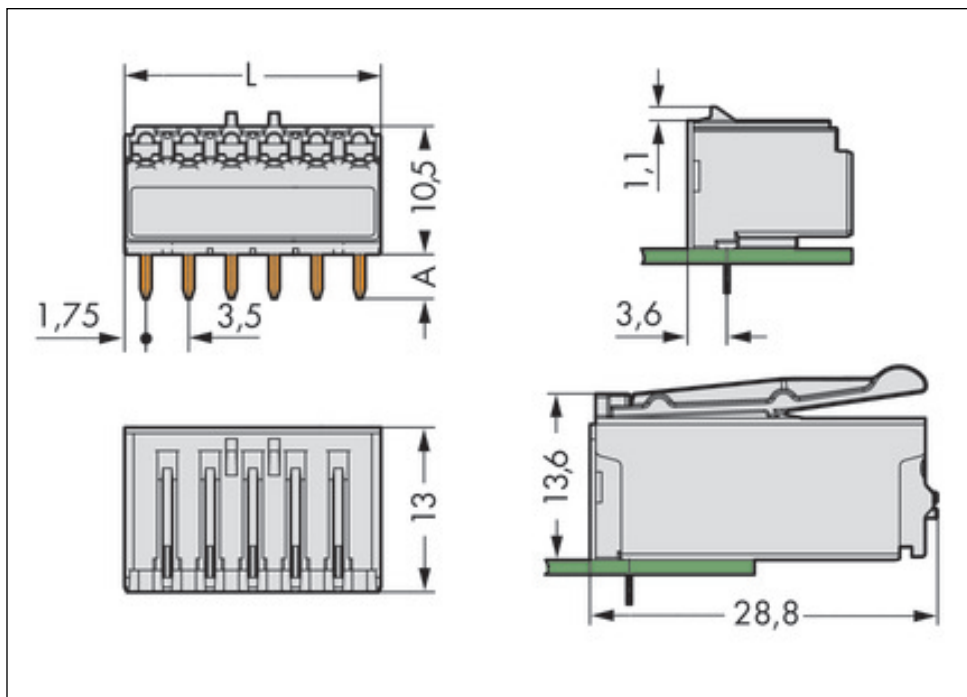
Miscellaneous

Ratings per	IEC/EN 60664-1

Technical data	
Rated voltage (III / 3) [V]	160 [V]
Rated impulse voltage (III / 3) [kV]	2.5 [kV]
Rated voltage (III/2) [V]	160 [V]
Rated impulse voltage (III / 2) [kV]	2.5 [kV]
Rated voltage (II / 2) [V]	320 [V]
Rated impulse voltage (II / 2) [kV]	2.5 [kV]
Rated current [A]	10 [A]
Legend (ratings)	(III / 2) Overvoltage category III / Pollution degree 2
No. of poles	2
Number of levels	1
Pin spacing	3.5 mm (0.138 in)
Width	7 mm / 0.276 Inch
Height	15.2 mm / 0.598 Inch
Height from the surface	11.6 mm / 0.457 Inch
Depth	13 mm / 0.512 Inch
Solder pin length [mm]	3.6 [mm]
Solder pin dimensions	0.4 x 0.9 mm
Drilled hole diameter (tolerance) [mm]	1.2(+ 0.1) [mm]
Contact type (pluggable connector)	Female connector/socket
Connector connection type	for PCBs
Mismating protection	No
PCB contact	THR
Color	light gray
Material group	I
Insulating material	Polyphthalamide (PPA GF)
Flammability class per UL94	V0
Contact material	Copper alloy
Contact plating	tin-plated
Fire load [MJ]	0.024 [MJ]
Weight [g]	1.06 [g]
Limit temperature range	-60 ... 100 °C
Pin spacing from [mm]	3.5 [mm]
Contact type	Female connector/socket; for PCBs
Product Family	picoMAX®

Technical data	
<i>Main product function</i>	<i>Female connector/socket</i>
<i>Product type</i>	<i>Pluggable PCB connectors</i>

Images & drawings



Address

WAGO Kontakttechnik GmbH & Co. KG

Hansastr. 27

32423 Minden

Telefon: 0571/887-0

Fax: 0571/887-169

<http://www.wago.com>

© WAGO Kontakttechnik GmbH & Co. KG

Technische Änderungen und Irrtümer vorbehalten.