



eCOM pluggable PCB connector with straight solder pins; without gripping plate; 2-pole; Pin spacing 3.5 mm / 0.138 in

Item No.: 2091-1172



Marking

RoHS ✓
Compliant

Business data

| | |
|------------|---------------|
| Supplier | WAGO |
| Item no. | 2091-1172 |
| GTIN / EAN | 4050821162407 |
| Content | 1 |
| | |
| | |

Notes

Item description: Universal connection for all conductor types Simple, push-in termination of solid and ferruled conductors Easy-to-use design does not require special tools Ability to wire while mated or unmated Integrated test ports for testing parallel to conductor entry Custom-installed solder pins Safety information 1: The picoMAX® pluggable connection system is designed without breaking capacity for compliance with DIN EN 61984. When used as intended, MCS Connectors shall not be connected/disconnected when live or under load. The circuit design should ensure header pins, which can be touched, are not live when unmated.

Technical data

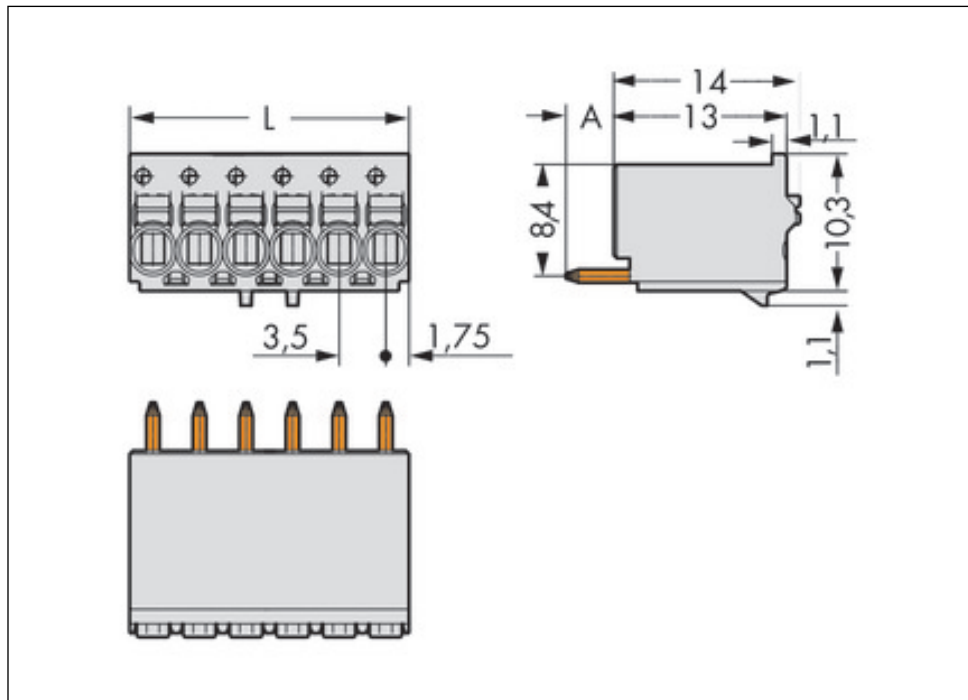
Miscellaneous

| Technical data | |
|--|--|
| <i>Ratings per</i> | <i>IEC/EN 60664-1</i> |
| <i>Rated voltage (III / 3) [V]</i> | <i>160 [V]</i> |
| <i>Rated impulse voltage (III / 3) [kV]</i> | <i>2.5 [kV]</i> |
| <i>Rated voltage (III/2) [V]</i> | <i>160 [V]</i> |
| <i>Rated impulse voltage (III / 2) [kV]</i> | <i>2.5 [kV]</i> |
| <i>Rated voltage (II / 2) [V]</i> | <i>320 [V]</i> |
| <i>Rated impulse voltage (II / 2) [kV]</i> | <i>2.5 [kV]</i> |
| <i>Rated current [A]</i> | <i>10 [A]</i> |
| <i>Legend (ratings)</i> | <i>(III / 2) Overvoltage category III / Pollution degree 2</i> |
| <i>No. of poles</i> | <i>2</i> |
| <i>Total number of connection points</i> | <i>12</i> |
| <i>Total number of potentials</i> | <i>2</i> |
| <i>Number of connection types</i> | <i>1</i> |
| <i>Number of levels</i> | <i>1</i> |
| <i>Connection technology</i> | <i>Push-in CAGE CLAMP®</i> |
| <i>Actuation type</i> | <i>Operating lever</i> |
| <i>Solid conductor</i> | <i>0.2 ... 1.5 mm² / 24 ... 14 AWG</i> |
| <i>Fine-stranded conductor</i> | <i>0.2 ... 1.5 mm² / 24 ... 14 AWG</i> |
| <i>Fine-stranded conductor with ferrule with plastic collar</i> | <i>0.25 ... 0.75 mm²</i> |
| <i>Fine-stranded conductor with ferrule without plastic collar</i> | <i>0.25 ... 1.5 mm²</i> |
| <i>Strip length</i> | <i>8 ... 9 mm / 0.31 ... 0.35 Inch</i> |
| <i>Conductor entry angle to the PCB [°]</i> | <i>90 [°]</i> |
| <i>Pin spacing</i> | <i>3.5 mm (0.138 in)</i> |
| <i>Width</i> | <i>7 mm / 0.276 Inch</i> |
| <i>Height</i> | <i>14 mm / 0.551 Inch</i> |
| <i>Depth</i> | <i>11.4 mm / 0.449 Inch</i> |
| <i>Solder pin length [mm]</i> | <i>3.6 [mm]</i> |
| <i>Solder pin diameter [mm]</i> | <i>1 [mm]</i> |
| <i>Drilled hole diameter (tolerance) [mm]</i> | <i>1.2(+ 0.1) [mm]</i> |
| <i>Contact type (pluggable connector)</i> | <i>Female connector/socket</i> |
| <i>Connector connection type</i> | <i>for PCBs</i> |
| <i>Mismating protection</i> | <i>nein</i> |
| <i>Mating direction to the PCB [°]</i> | <i>90 [°]</i> |

| Technical data | |
|------------------------------------|--|
| <i>PCB contact</i> | <i>THT</i> |
| <i>Color</i> | <i>light gray</i> |
| <i>Material group</i> | <i>I</i> |
| <i>Insulating material</i> | <i>Polyphthalamide (PPA GF)</i> |
| <i>Flammability class per UL94</i> | <i>V0</i> |
| <i>Clamping spring material</i> | <i>Chrome nickel spring steel (CrNi)</i> |
| <i>Contact material</i> | <i>Electrolytic copper (Ecu)</i> |
| <i>Contact plating</i> | <i>tin-plated</i> |
| <i>Fire load [MJ]</i> | <i>0.021 [MJ]</i> |
| <i>Weight [g]</i> | <i>0.995 [g]</i> |
| <i>Limit temperature range</i> | <i>-60 ... 100 °C</i> |
| <i>Pin spacing from [in]</i> | <i>0.138 [in]</i> |
| <i>Pin spacing from [mm]</i> | <i>3.5 [mm]</i> |
| <i>Contact type</i> | <i>Female connector/socket; for PCBs</i> |
| <i>Product Family</i> | <i>picoMAX eCOM</i> |
| <i>Main product function</i> | <i>Female connector/socket</i> |
| <i>Product type</i> | <i>Pluggable PCB connectors</i> |

Images & drawings





Address

WAGO Kontakttechnik GmbH & Co. KG

Hansastr. 27

32423 Minden

Telefon: 0571/887-0

Fax: 0571/887-169

<http://www.wago.com>

© WAGO Kontakttechnik GmbH & Co. KG

Technische Änderungen und Irrtümer vorbehalten.