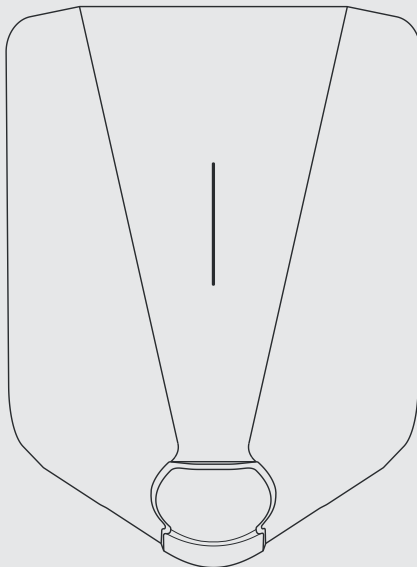


Quick Guide

Installation Instructions



**Authorized
personnel
only**

easee

Download your language

In order to avoid unnecessary waste of resources by printing the Quick Guide in different languages, we have chosen to include only English and make other languages available on our website.

You can download this Quick Guide in other languages here¹

→ **www.easee.no/manuals**



→ **Join Easee Owners Club** *on facebook, and get valuable product insight first!*

→ **Follow us** *on facebook and Instagram.*

THIS DOCUMENT CONTAINS INFORMATION THAT IS SUBJECT TO CHANGE WITHOUT NOTICE.

The latest version of this publication can be downloaded at easee.no

No part of this publication may be reproduced or transmitted in any form or by any means, electronic or mechanical, including, but not limited to, copying, recording, retrieving data, or computer networks without the written permission of Easee AS.

Easee and all other Easee product names and slogans are trademarks or registered trademarks of Easee AS. Easee products can be protected by one or more patents.

All other products and services mentioned may be trademarks or service marks of their respective owners.

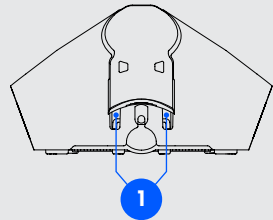
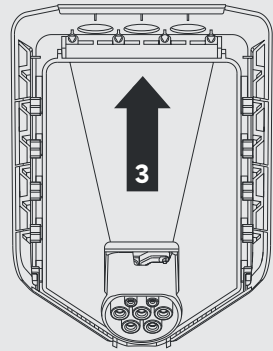
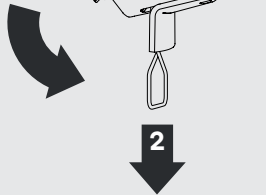
December 2019 - Version 2.09 / © 2018-2019 by Easee AS. All rights reserved.

¹ *We cannot guarantee that all languages are available at this time.*

1

Open the charging robot

1. Bend down the lower part of the rubber cover and insert the two ends of the included tool into the two openings at the bottom of the front cover.
2. Pull down until it comes loose.
3. Grasp the Type2 connector and push upwards with good force until the Chargeberry disconnects.

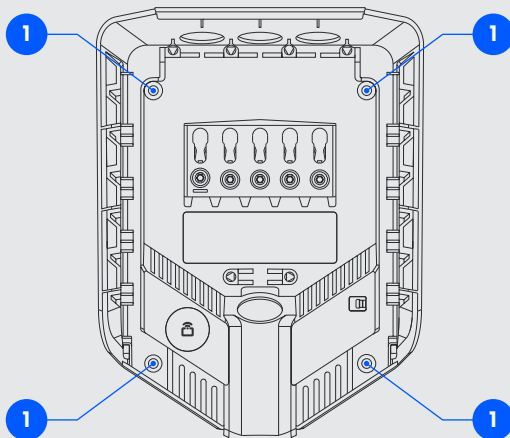


2

Mounting the backplate

1. The backplate is mounted on the wall using the 4 wall-screws supplied in the installation kit. Use appropriate wall plugs for different types of walls.

NB! *If you have multiple backplates, now would be a good time to mount them as well!*



130-140 cm

Recommended installation height

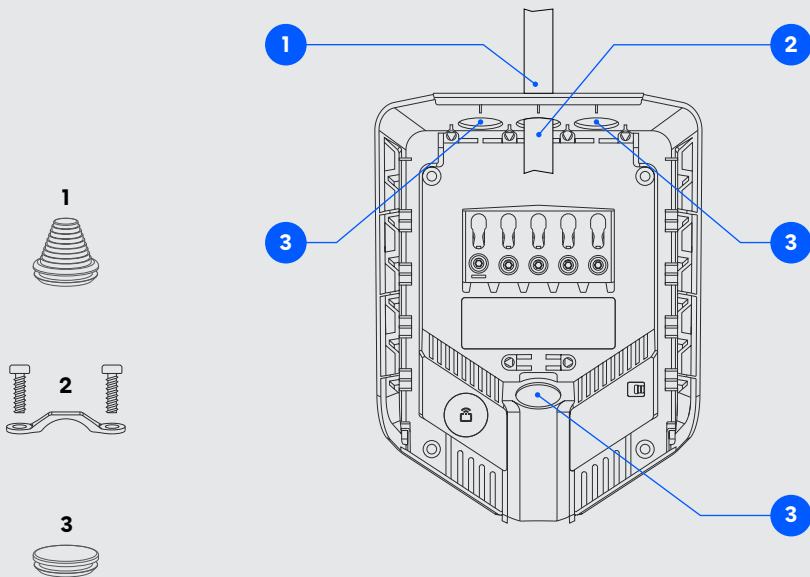
1



3

Prepare the backplate

1. Fit the sealing plug on the cable before connecting in the backplate.
2. Secure the sheath of the cable by using the supplied strain relief.
3. Close all holes that are not used for cable entry with the blind sealing plugs supplied.

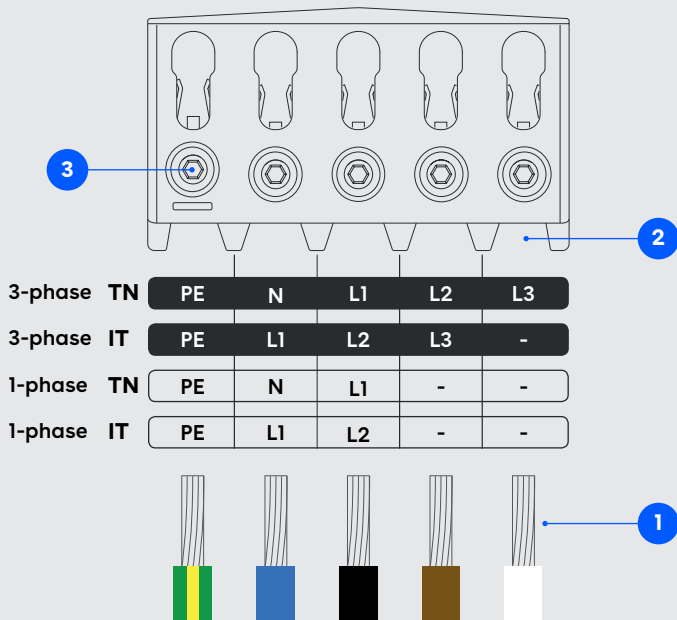


4

Connect the backplate

1. All cable cores must be stripped back allowing 12mm exposed conductor.
2. For parallel connection, each termination port is used as connection point.
3. Tighten the screws with a torque of 5Nm.

NB! Terminations should be visually and mechanically inspected before mounting the electronics.

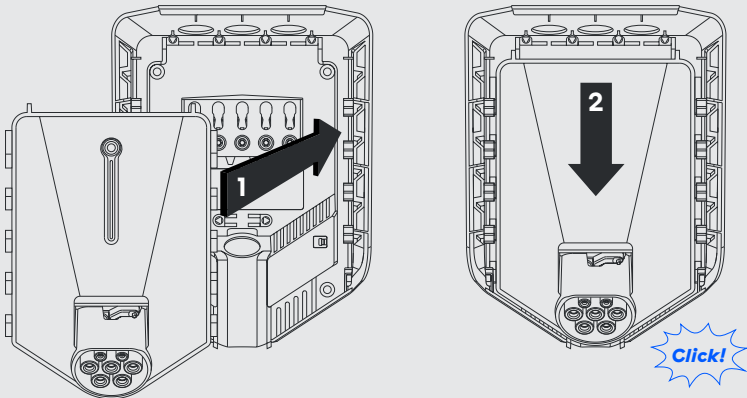


5

Plug in the electronics

1. If the installation has more than two charging robot, place the electronics in the center back plate first. The backplate on which this charger is mounted will always be the main unit.
2. Match up the tabs on the Chargeberry with the slots in the backplate.
3. When the Chargeberry has reached the bottom, push it down with good force until you hear a click!

NB! *When installing several charging robots, you must use the same chargeberry to program all the back plates that are connected to the same fuse / cable - so please wait to plug in the remaining ones!*



IMPORTANT!

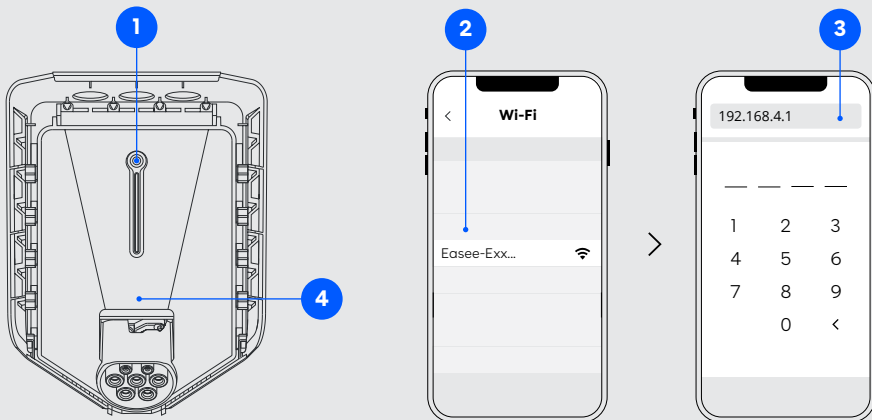
The backplate that is programmed first becomes the main unit on that specific circuit. To achieve the best communication flow, this backplate should be at the center of the installation.

6

Start the configuration

1. To start the configuration of the charging robot, you must **hold the touch button** until the light strip turns green and you hear a confirmation tone. The charger has now started sharing its local wifi network and you must use a smart phone to connect.
2. Select the Wi-Fi network that begins with "Easee..."
3. Open your browser and enter **192.168.4.1** in the address field.
4. Log in with the PIN code located on the front of the chargeberry.


OBS! After the PIN is used, it is pasted to the back of the user guide.



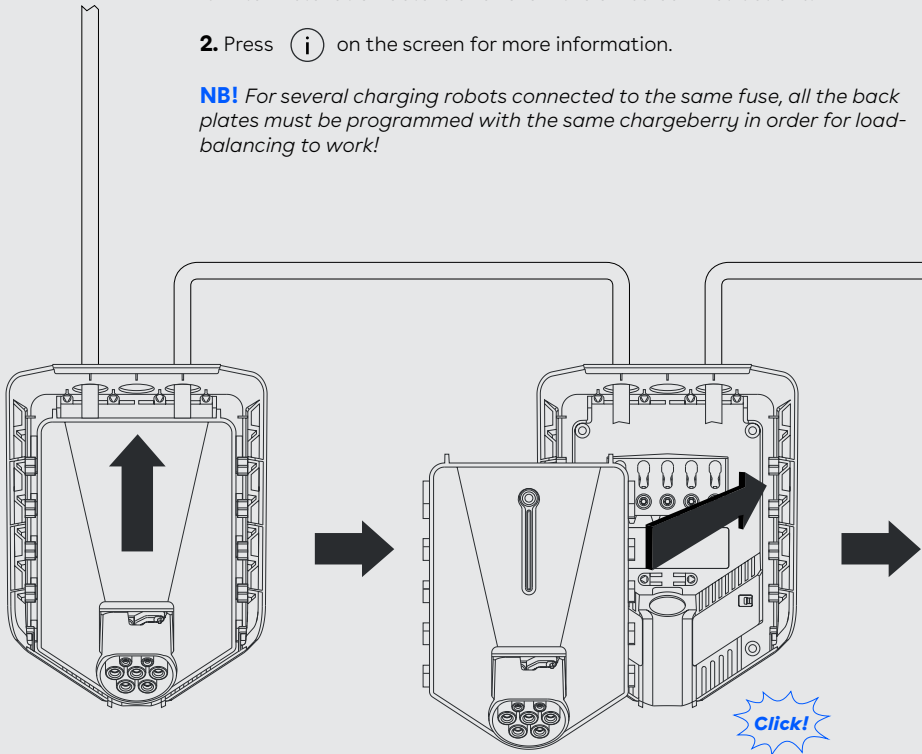
7

Enter installation details

1. Enter installation details and follow the on-screen instructions.

2. Press  on the screen for more information.

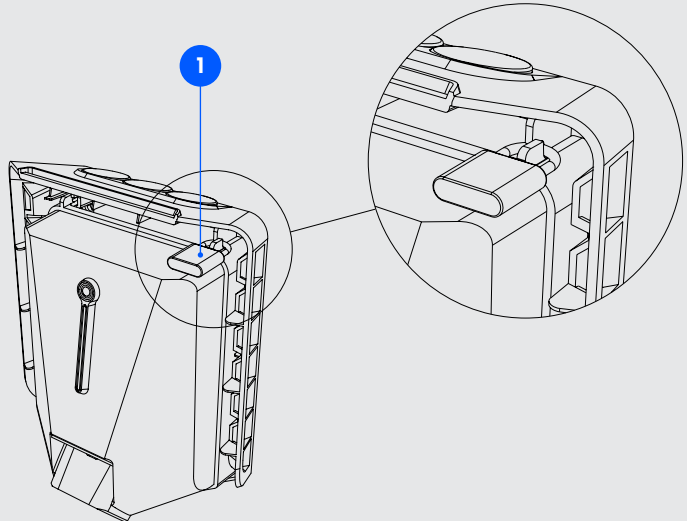
NB! For several charging robots connected to the same fuse, all the back plates must be programmed with the same chargeberry in order for load-balancing to work!



8

Lock the electronics

Lock the Chargeberry with the included padlock. Locking the electronics adds an extra level of security. (*Optional*)

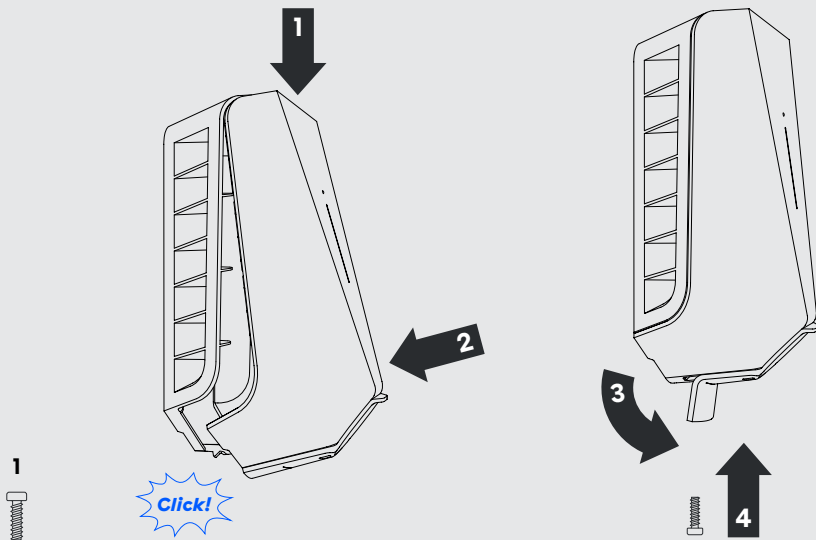


9

Mount the front cover

1. Hang the front cover at the top of the backplate and let it fall into place.
2. Then press the bottom of the front cover until you hear a click!
3. Bend the lower part of the rubber cover down.
4. Screw in the locking screw at the bottom of the charger to secure.

The charging robot is now ready for use, enjoy!





Powering your freedom

Easee AS
Professor Olav Hanssens vei 7A
4021 Stavanger, Norway