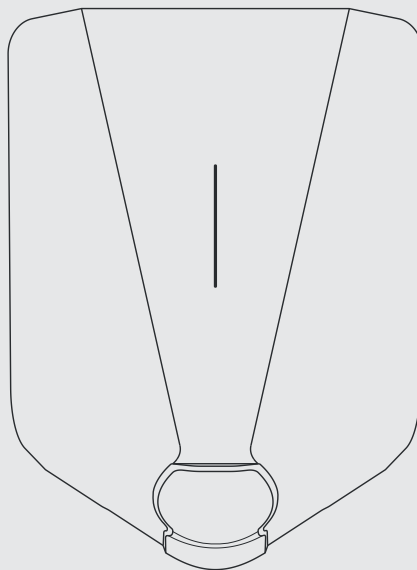


# *Quick Guide*

*Plug and Play*



easee

# Download your language

In order to avoid unnecessary waste of resources by printing the Quick Guide in different languages, we have chosen to include only English and make other languages available on our website.

You can download this Quick Guide in other languages here<sup>1</sup>

→ **www.easee.no/manuals**



→ **Join Easee Owners Club** *on facebook, and get valuable product insight first!*

→ **Follow us** *on facebook and Instagram.*

THIS DOCUMENT CONTAINS INFORMATION THAT IS SUBJECT TO CHANGE WITHOUT NOTICE.

The latest version of this publication can be downloaded at [easee.no](http://easee.no)

No part of this publication may be reproduced or transmitted in any form or by any means, electronic or mechanical, including, but not limited to, copying, recording, retrieving data, or computer networks without the written permission of Easee AS.

Easee and all other Easee product names and slogans are trademarks or registered trademarks of Easee AS. Easee products can be protected by one or more patents.

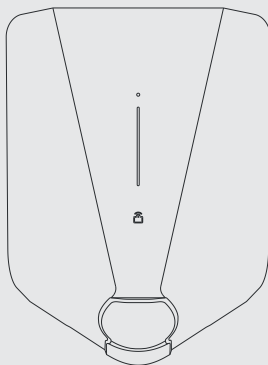
All other products and services mentioned may be trademarks or service marks of their respective owners.

December 2019 - Version 1.02 / © 2018-2019 by Easee AS. All rights reserved.

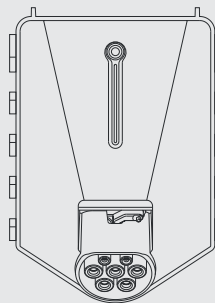
<sup>1</sup> *We cannot guarantee that all languages are available at this time.*

# Content in the box

**Front Cover**



**Chargeberry**  
(Electronics)



**Tool**



**x1**

**Padlock**



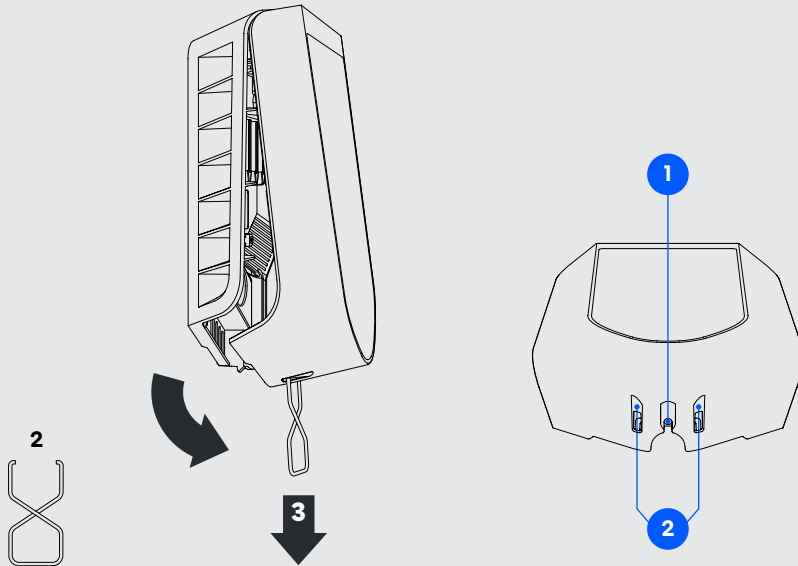
**x1**

# 1

## Remove blind cover

1. Unscrew the locking screw at the bottom of the product.
2. Insert the two ends of the included tool into the two openings at the bottom of the blind cover.
3. Pull down until it comes loose.

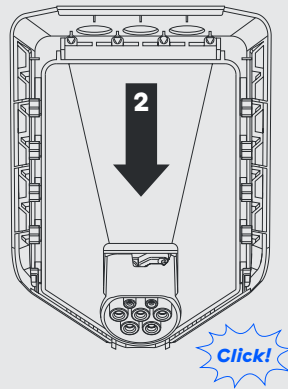
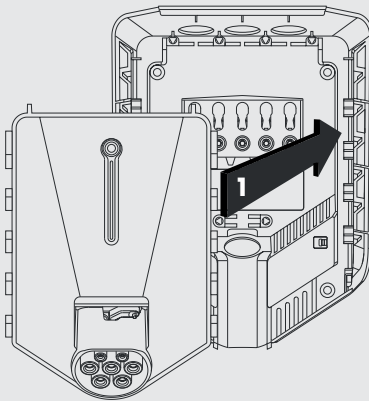
**NB!** *The tool can be found on the back of the chargeberry.*



# 2

## Plug in the electronics

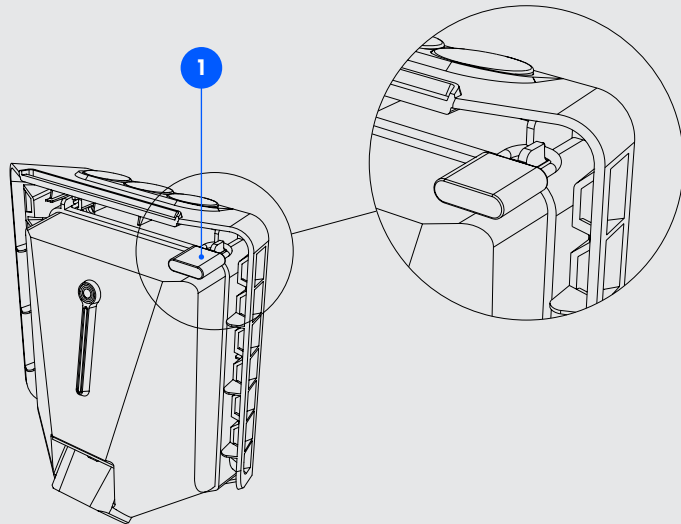
1. Match up the tabs on the Chargeberry with the slots in the backplate.
2. When the Chargeberry has reached the bottom, push it down with good force until you hear a click!



# 3

## Lock the electronics

Lock the Chargeberry with the included padlock. Locking the electronics adds an extra level of security. *(Optional)*

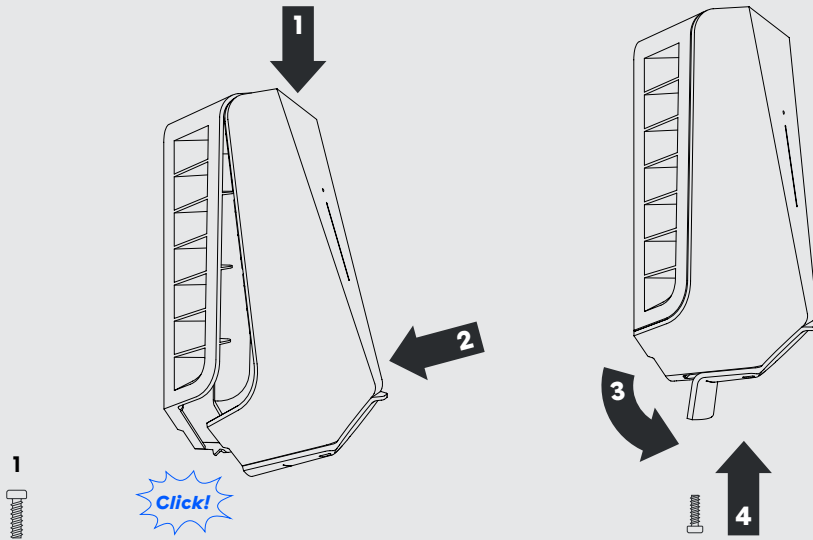


# 4

## Mount the front cover

1. Hang the front cover at the top of the backplate and let it fall into place.
2. Then press the bottom of the front cover until you hear a click!
3. Bend the lower part of the rubber cover down.
4. Screw in the locking screw at the bottom of the charger to secure.

**The charging robot is now ready for use, enjoy!**





Powering your freedom

Easee AS  
Professor Olav Hanssens vei 7A  
4021 Stavanger, Norway