

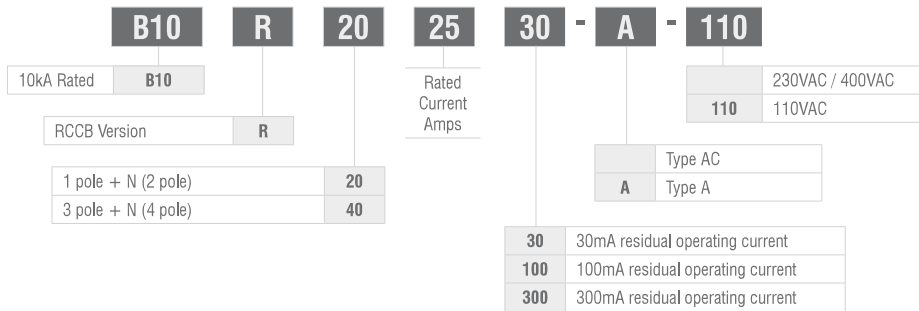
# Residual Current Circuit Breakers

## B10R



The IMO range of Residual Current Circuit Breakers have been designed for protection of electrical installations against earth fault / leakage current and are manufactured in accordance with IEC 61008-1.

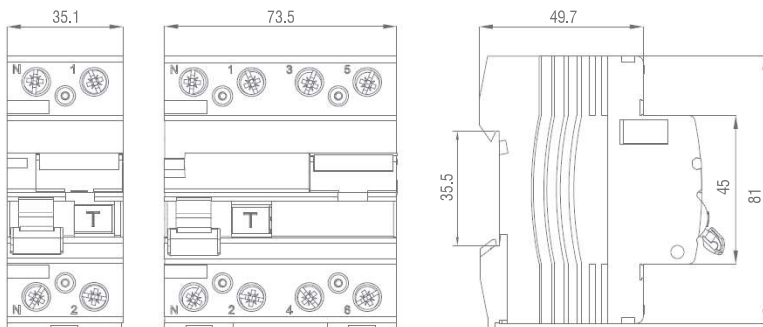
### Options & Ordering Codes



### Specifications

In accordance with	IEC 61008-1
Certification	CE, SEMKO
Pole composition	2P, 4P
Rated current:	16A, 25A, 32A, 40A, 63A, 80A, 100A, 125A
Residual current characteristics:	AC, A
Calibration Temperature:	+30°C
Rated frequency:	50/60Hz
Rated voltage:	110VAC/230VAC/400VAC
Rated residual operating current I $\Delta$ n:	30mA, 100mA, 300mA
Max. Switching Time@ I $\Delta$ n:	100ms
Residual tripping current range:	0,5 I $\Delta$ n ~ 1 I $\Delta$ n
Rated conditional short circuit current:	10kA
Electrical lifetime	> 4,000 cycles
Fastening torque:	2,0Nm
Terminal capacity:	35mm <sup>2</sup> solid, 25mm <sup>2</sup> stranded conductor
Mounting on	DIN Rail EN 60715 (EN 50022)
Protection degree:	IP20
Operating temperature:	-25°C - +55°C

### Overall & Installation Dimensions



### Wiring Diagram

