

Product information

36 22 125

Electronics Mounting Pliers



- To bend and cut wire at 1.6 mm length below the board
- Precision pliers for very fine assembly and repair work in electronics
- For bending and cutting off wire ends on components
- Sturdy, zero backlash box joint
- Smooth ground gripping surfaces
- Edges carefully deburred
- Low-friction double spring for gentle and even opening
- The mirror polish together with a fine film of oil offer effective rust protection - no circuit faults caused by peeling chrome from plated tools
- Ball bearing chrome steel, oil hardened

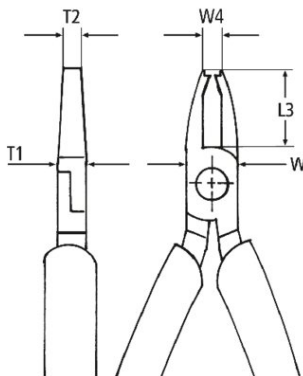
MM

General

Article No.	36 22 125
EAN	4003773046967
Head	mirror polished
Handles	with multi-component grips
weight	94 g
Dimensions	125 x 63 x 18 mm
Reach	no
RohS	no

Technical details

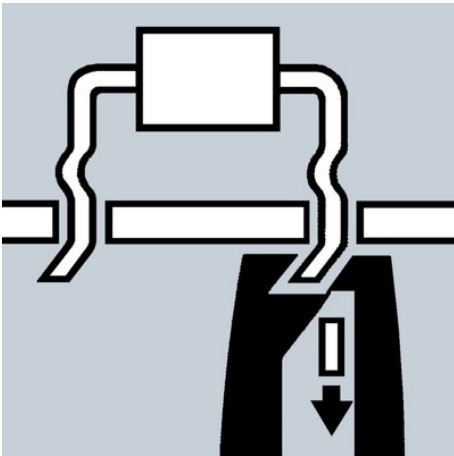
	Ø 1.2 mm
	7.0 mm
Tips thickness (W4)	4.0 mm
Head width (W3)	11.0 mm
Handle width	7.5 mm
	18.0 mm
Applications	cut at 1.6 mm and bend wire



Classification

eCl@ss 5.1.4	21040301
proficl@ss 6.0	EAA840c015
UNSPSC 13.1	27112104

technical change and errors excepted



to bend and cut wire at 1.6 mm length below the board

