



Empty component plug housing; 10.4 mm wide; 2-pole; Type 2

Item No.: 2002-810



Marking

RoHS ✓
Compliant

Business data

<i>Supplier</i>	WAGO
<i>Item no.</i>	2002-810
<i>GTIN / EAN</i>	4045454857776
<i>Content</i>	1

Notes

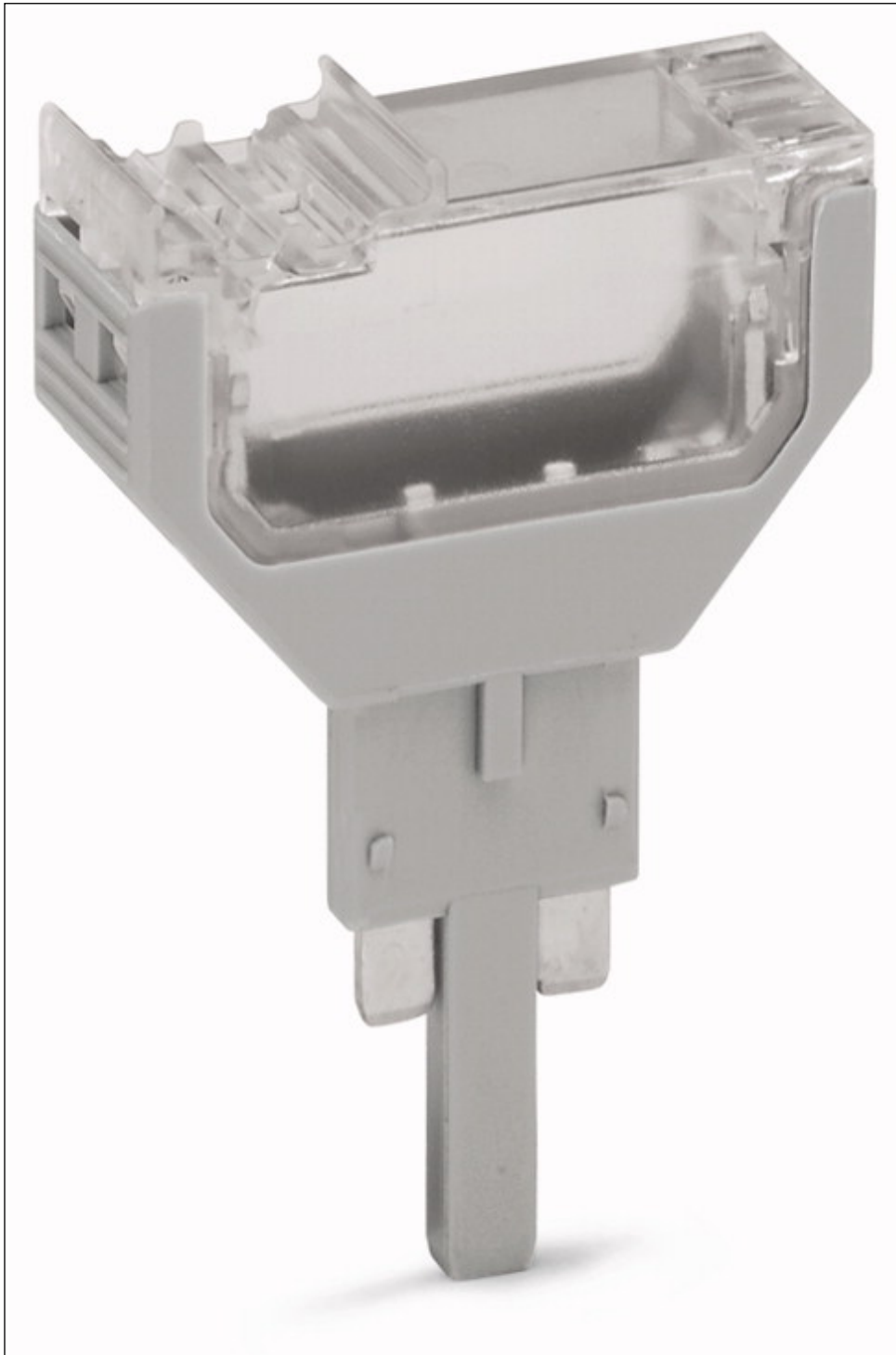
Technical data

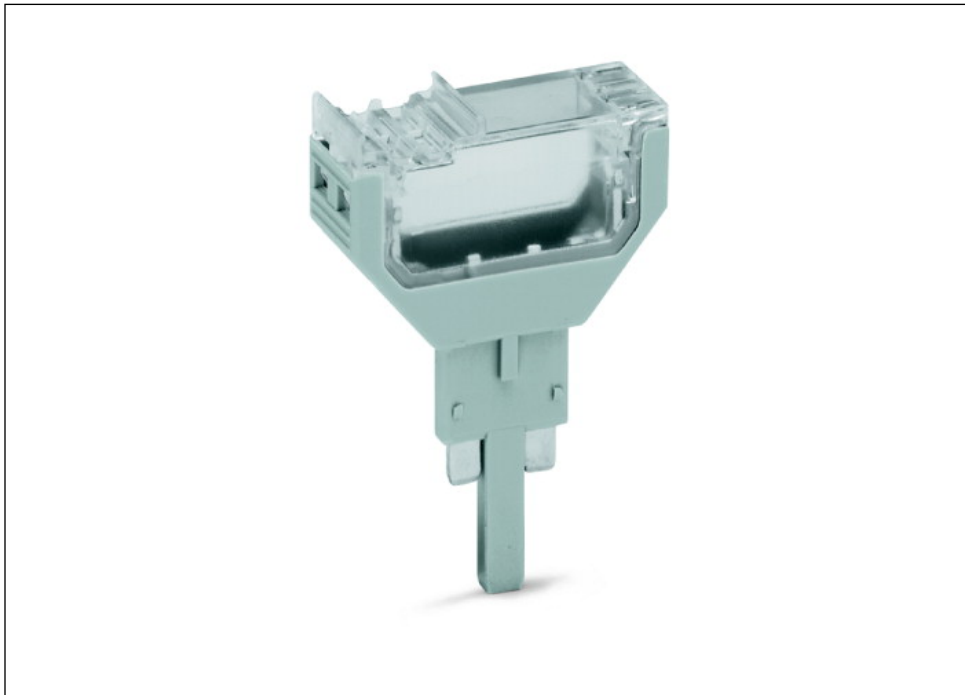
Miscellaneous

<i>Width</i>	10.4 mm / 0.409 Inch
<i>Marking level</i>	Center marking
<i>Color</i>	gray
<i>Fire load [MJ]</i>	0.074 [MJ]
<i>Weight [g]</i>	3.4 [g]

Technical data	
<i>Housing design</i>	<i>Pluggable module for terminal blocks</i>
<i>Product Family</i>	<i>TOPJOB® S</i>
<i>Main product function</i>	<i>Empty component plug housings</i>
<i>Product type</i>	<i>Accessories</i>

Images & drawings





Address

WAGO Kontakttechnik GmbH & Co. KG

Hansastr. 27

32423 Minden

Telefon: 0571/887-0

Fax: 0571/887-169

<http://www.wago.com>

© WAGO Kontakttechnik GmbH & Co. KG

Technische Änderungen und Irrtümer vorbehalten.