



Empty component plug housing; 10.4 mm wide; 4-pole; Type 3

Item No.: 2002-820



Marking

RoHS ✓
Compliant

Business data

Supplier	WAGO
Item no.	2002-820
GTIN / EAN	4045454857783
Content	1

Notes

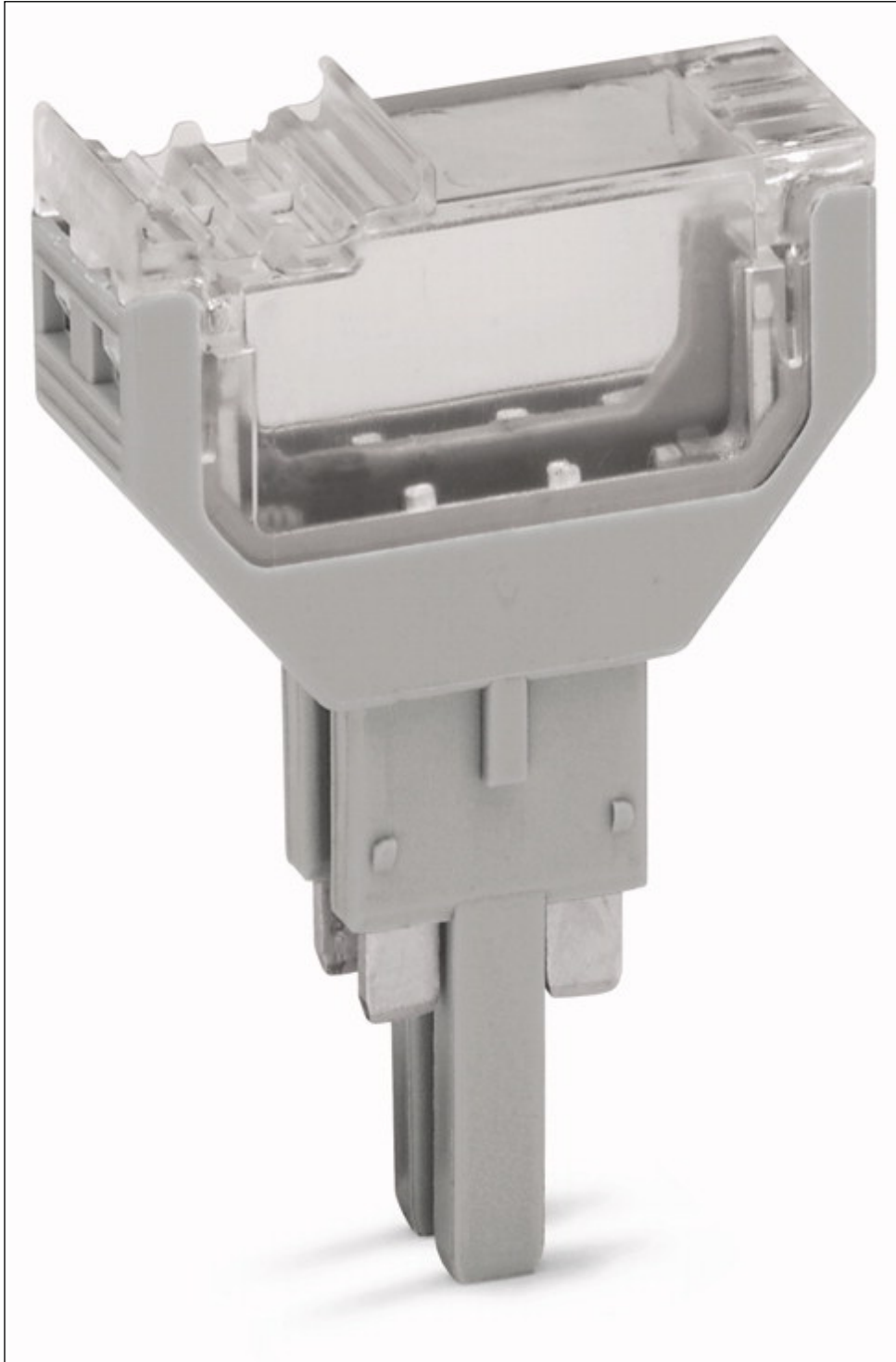
Technical data

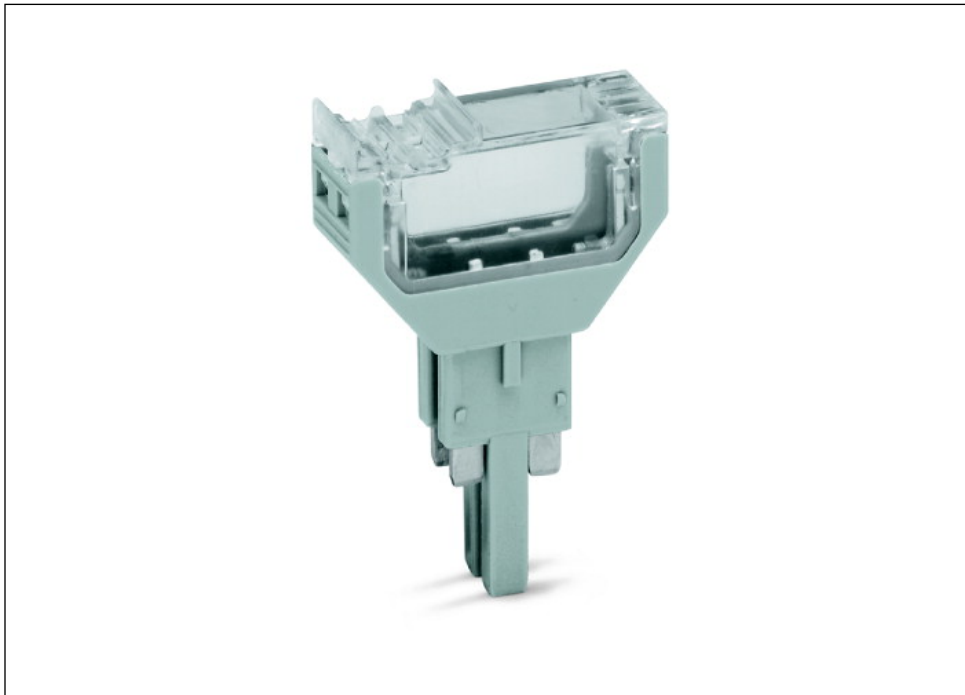
Miscellaneous

Width	10.4 mm / 0.409 Inch
Marking level	Center marking
Color	gray
Fire load [MJ]	0.09 [MJ]
Weight [g]	5.3 [g]

Technical data	
<i>Housing design</i>	<i>Pluggable module for terminal blocks</i>
<i>Product Family</i>	<i>TOPJOB® S</i>
<i>Main product function</i>	<i>Empty component plug housings</i>
<i>Product type</i>	<i>Accessories</i>

Images & drawings





Address

WAGO Kontakttechnik GmbH & Co. KG

Hansastr. 27

32423 Minden

Telefon: 0571/887-0

Fax: 0571/887-169

<http://www.wago.com>

© WAGO Kontakttechnik GmbH & Co. KG

Technische Änderungen und Irrtümer vorbehalten.