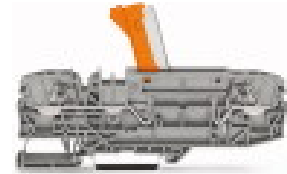




**2-conductor disconnect/test terminal block; with test option;  
orange disconnect link**

Item No.: 2006-8671



**Marking**

RoHS ✓  
Compliant

**Business data**

Supplier	WAGO
Item no.	2006-8671
GTIN / EAN	4050821372509
Content	1

**Notes**

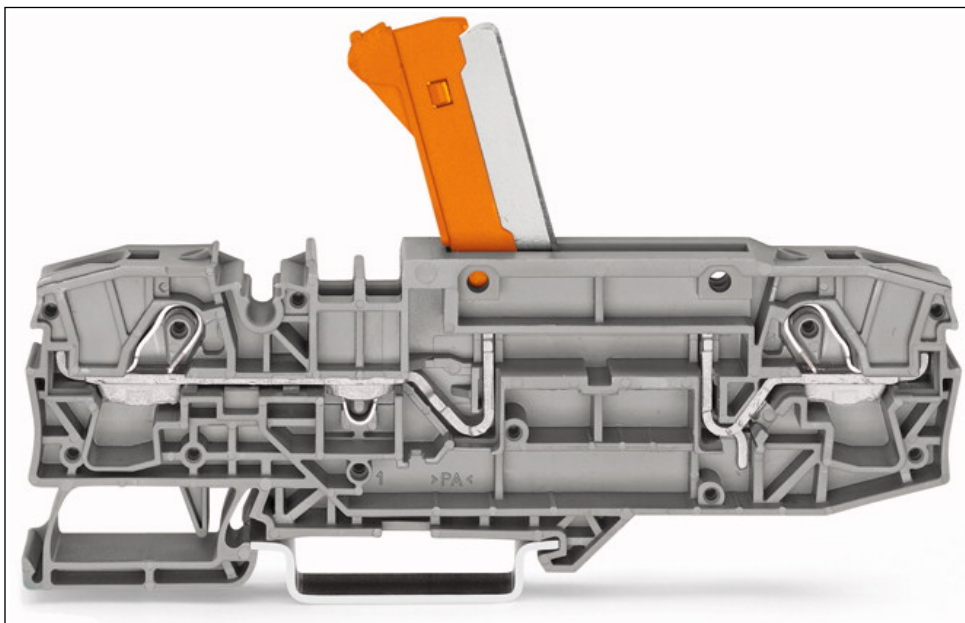
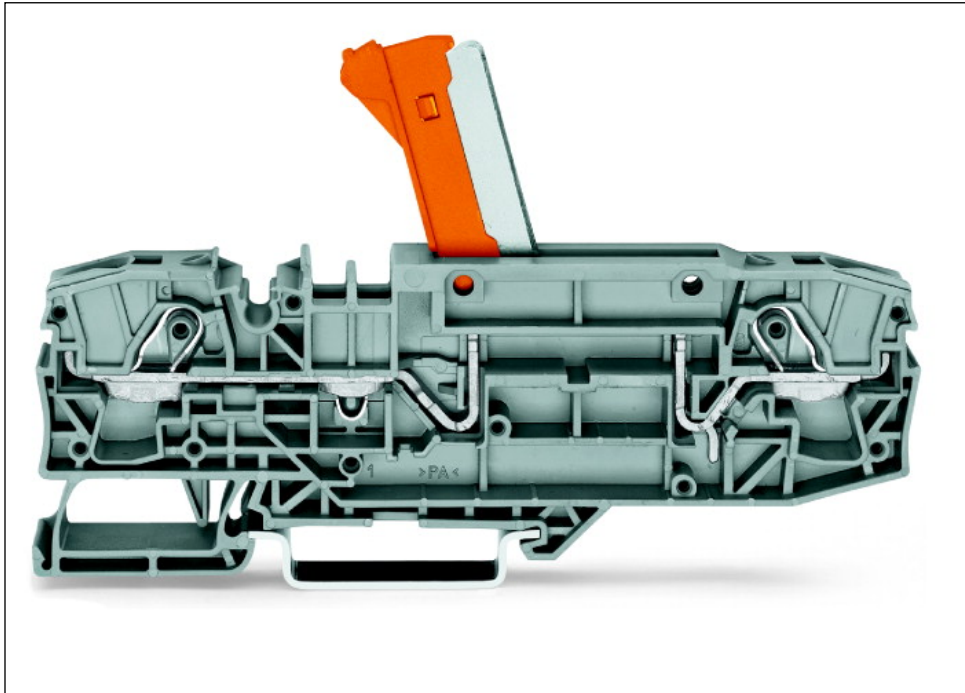
**Technical data**

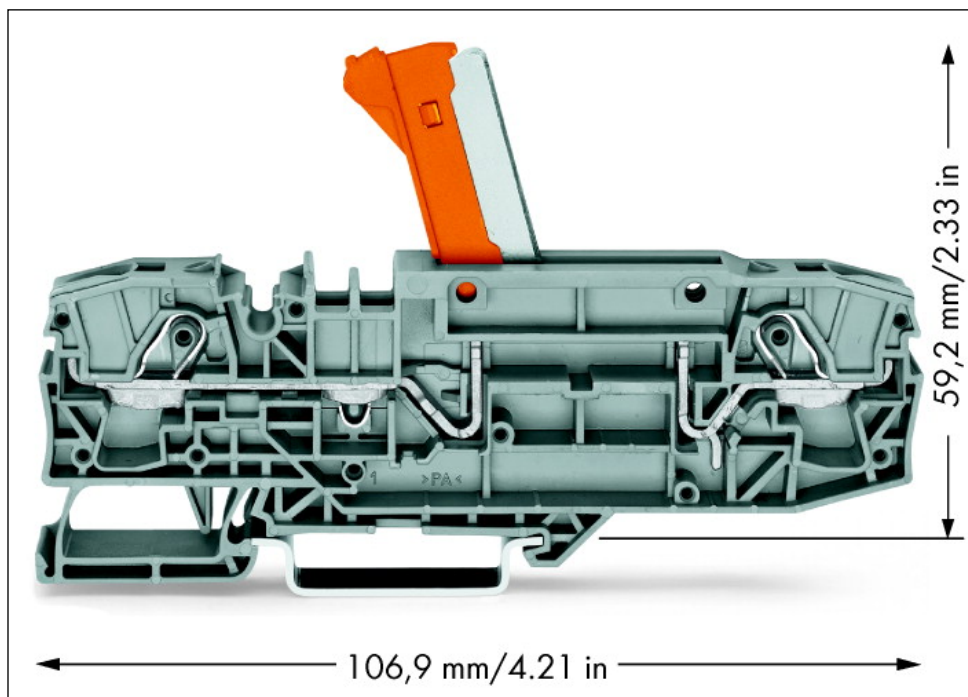
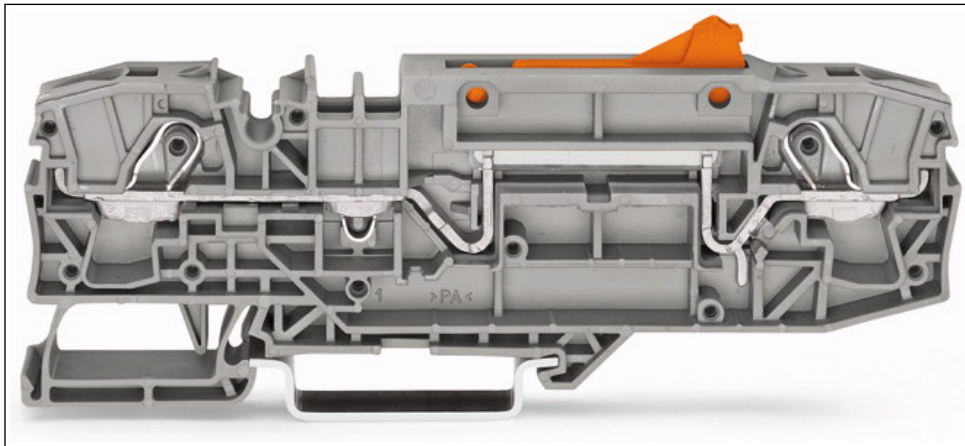
*Miscellaneous*

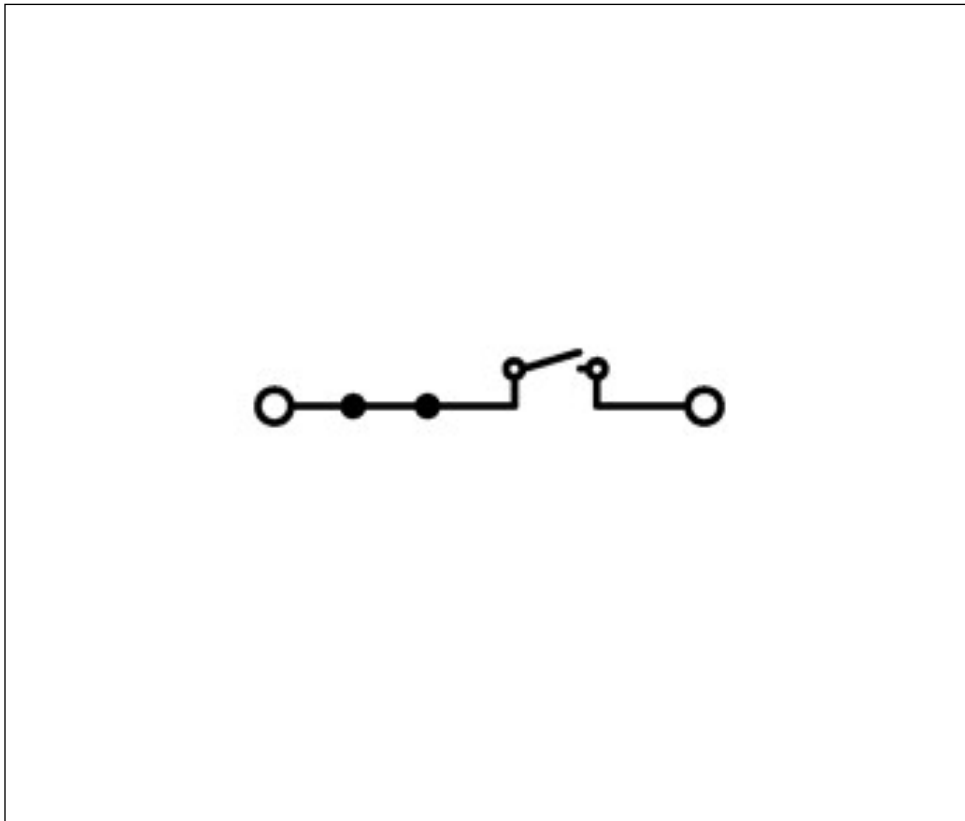
Rated voltage (III / 3) [V]	1000 [V]
Rated impulse voltage (III / 3) [kV]	12 [kV]
Rated current [A]	30 [A]
Rated voltage (III / 3) 2 [V]	1500 [V]
Rated impulse voltage (III / 3) 2 [kV]	12 [kV]

<b>Technical data</b>	
<i>Legend (ratings)</i>	<i>(III / 3) Overvoltage category III / Pollution degree 3</i>
<i>Type of wiring</i>	<i>Front-entry wiring</i>
<i>Total number of connection points</i>	<i>2</i>
<i>Total number of potentials</i>	<i>1</i>
<i>Number of levels</i>	<i>1</i>
<i>Connection technology</i>	<i>Push-in CAGE CLAMP®</i>
<i>Actuation type</i>	<i>Push-in</i>
<i>Connectable conductor materials</i>	<i>Copper</i>
<i>Nominal cross section</i>	<i>6 mm<sup>2</sup></i>
<i>Solid conductor</i>	<i>0.5 ... 10 mm<sup>2</sup> / 20 ... 8 AWG</i>
<i>Solid conductor, push-in termination</i>	<i>1 ... 10 mm<sup>2</sup> / 14 ... 8 AWG</i>
<i>Fine-stranded conductor</i>	<i>0.5 ... 10 mm<sup>2</sup> / 20 ... 8 AWG</i>
<i>Fine-stranded conductor with ferrule, push-in termination, f</i>	<i>1.5 mm<sup>2</sup> / 16 AWG</i>
<i>Strip length</i>	<i>13 ... 15 mm / 0.51 ... 0.59 Inch</i>
<i>Width</i>	<i>15 mm / 0.591 Inch</i>
<i>Height from upper-edge of DIN-35 rail</i>	<i>33 mm / 1.299 Inch</i>
<i>Depth</i>	<i>106.9 mm / 4.209 Inch</i>
<i>Design</i>	<i>horizontal</i>
<i>Type of mounting</i>	<i>Carrier rail 35 x 15</i>
<i>Marking level</i>	<i>Center/side marking</i>
<i>Color</i>	<i>gray</i>
<i>Insulating material</i>	<i>Polyamide 66 (PA 66)</i>
<i>Fire load [MJ]</i>	<i>0.673 [MJ]</i>
<i>Weight [g]</i>	<i>31.425 [g]</i>
<i>Product Family</i>	<i>TOPJOB® S</i>
<i>Main product function</i>	<i>Disconnect/test block</i>
<i>Product type</i>	<i>Function modules</i>

Images & drawings







#### Address

WAGO Kontakttechnik GmbH & Co. KG

Hansastr. 27

32423 Minden

Telefon: 0571/887-0

Fax: 0571/887-169

<http://www.wago.com>

© WAGO Kontakttechnik GmbH & Co. KG

Technische Änderungen und Irrtümer vorbehalten.