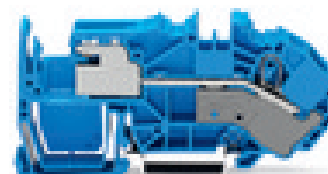




1-conductor N-disconnect terminal block

Item No.: 2016-7714



Marking

RoHS ✓
Compliant

Business data

Supplier	WAGO
Item no.	2016-7714
GTIN / EAN	4045454685300
Content	1

Notes

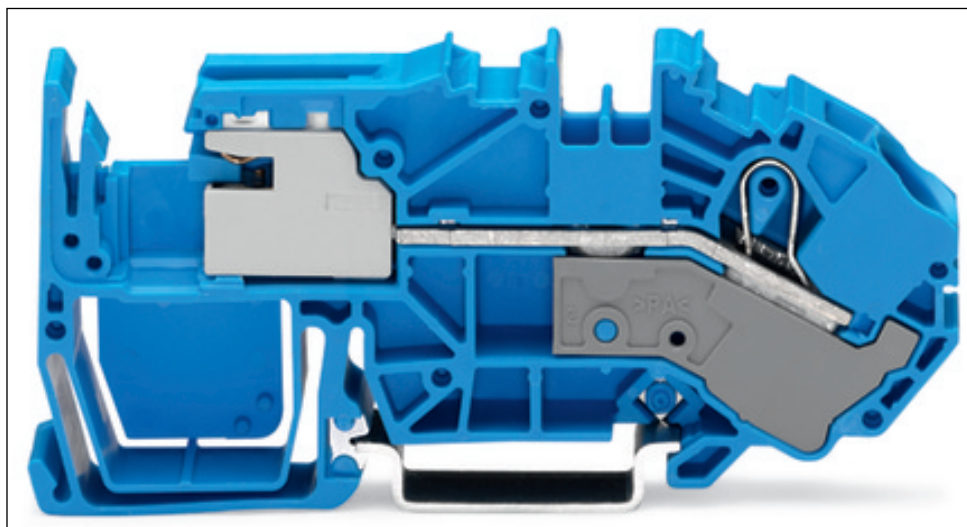
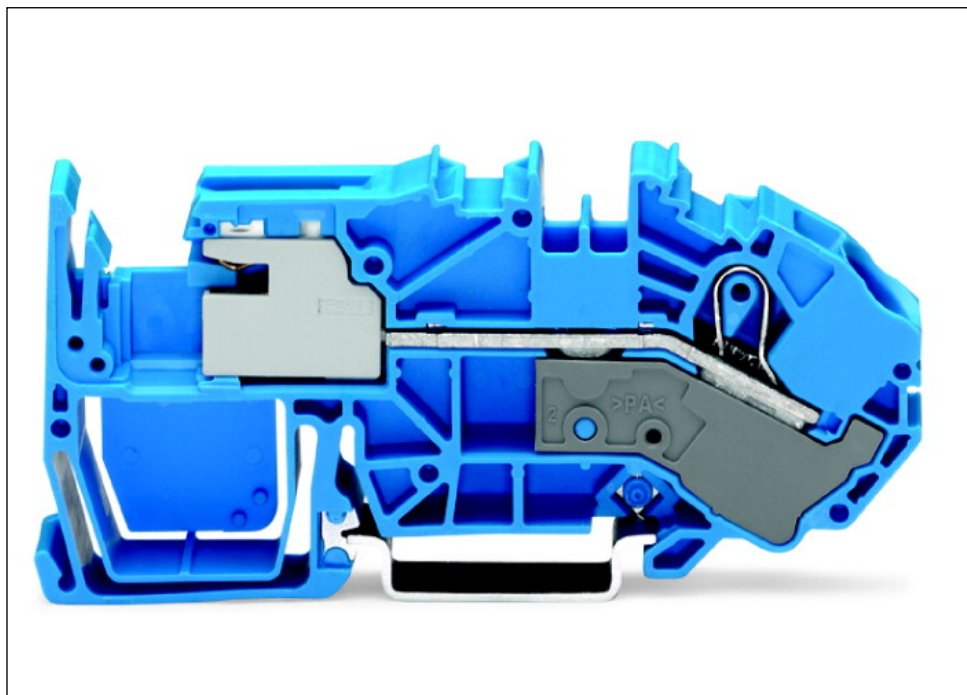
Technical data

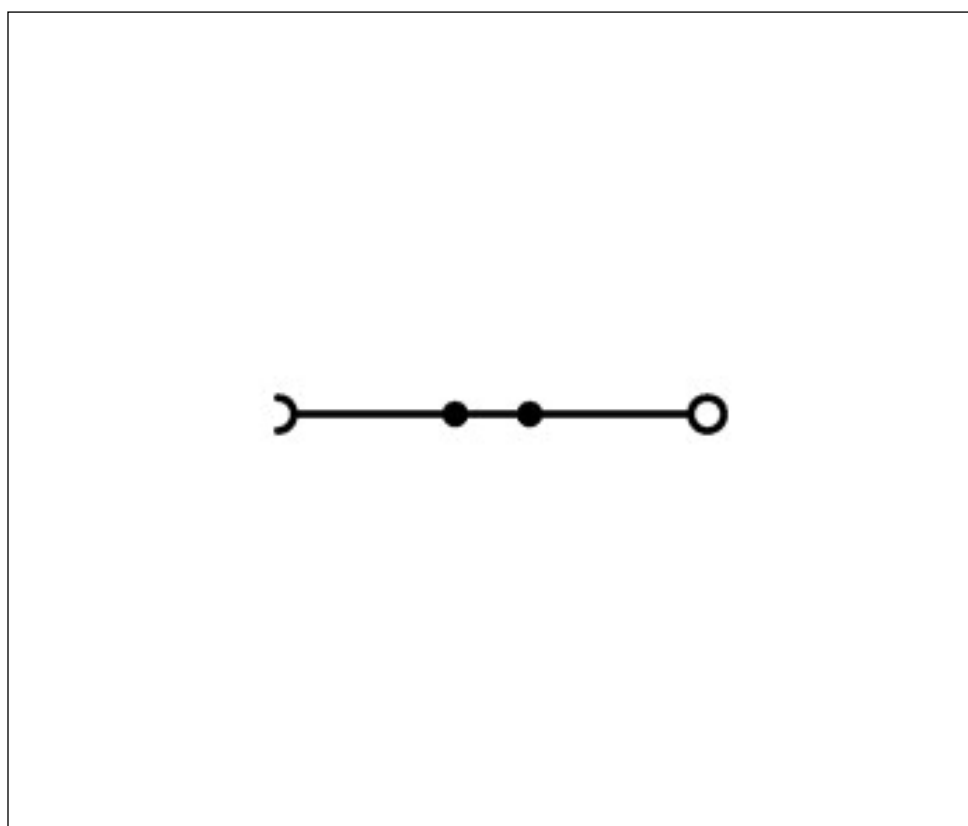
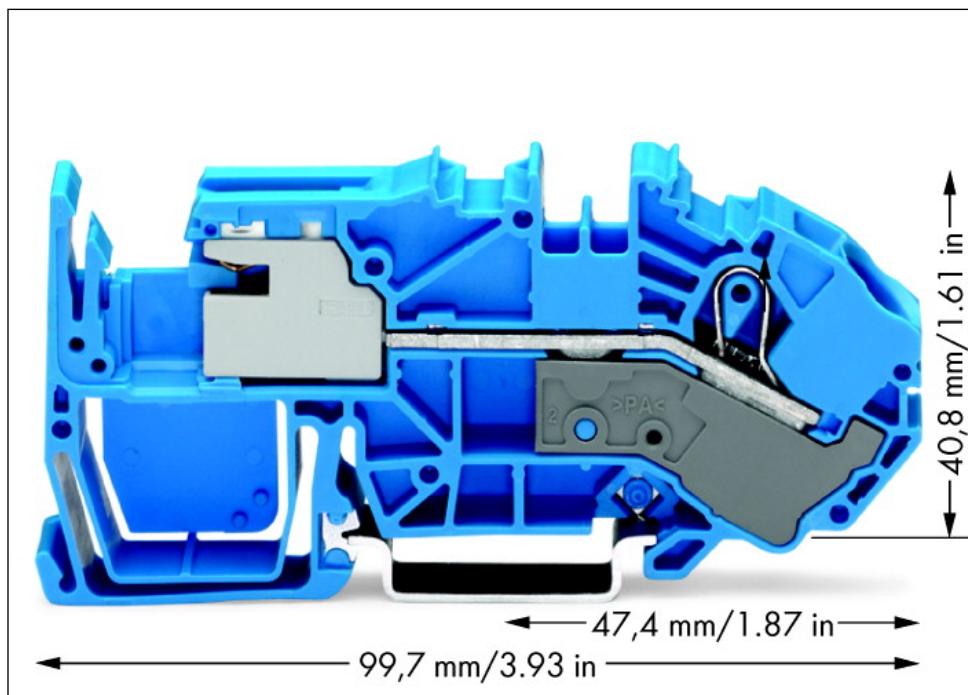
Miscellaneous

Rated voltage (III / 3) [V]	250 [V]
Rated impulse voltage (III / 3) [kV]	4 [kV]
Rated current [A]	76 [A]
Legend (ratings)	(III / 3) Overvoltage category III / Pollution degree 3
Type of wiring	Front-entry wiring

Technical data	
Total number of connection points	1
Total number of potentials	1
Number of levels	1
Connection technology	Push-in CAGE CLAMP®
Actuation type	Push-in
Connectable conductor materials	Copper
Nominal cross section	16 mm ²
Solid conductor	0.5 ... 16 mm ² / 20 ... 6 AWG
Solid conductor, push-in termination	2.5 ... 16 mm ² / 14 ... 6 AWG
Fine-stranded conductor	0.5 ... 25 mm ² / 20 ... 4 AWG
Fine-stranded conductor with ferrule, push-in termination, f	2.5 mm ² / 14 AWG
Strip length	18 ... 20 mm / 0.71 ... 0.79 Inch
Width	12 mm / 0.472 Inch
Height from upper-edge of DIN-35 rail	40.8 mm / 1.606 Inch
Depth	86 mm / 3.386 Inch
Design	angled
Type of mounting	Carrier rail 35 x 15
Marking level	Center/side marking
Color	blue
Insulating material	Polyamide 66 (PA 66)
Fire load [MJ]	0.592 [MJ]
Weight [g]	34.106 [g]
Product Family	TOPJOB® S
Main product function	N-disconnect terminal block
Product type	Installation rail-mount terminal blocks

Images & drawings





Address

WAGO Kontakttechnik GmbH & Co. KG

Hansastr. 27

32423 Minden

Telefon: 0571/887-0

Fax: 0571/887-169

<http://www.wago.com>

© WAGO Kontakttechnik GmbH & Co. KG

Technische Änderungen und Irrtümer vorbehalten.