



**4-conductor terminal block; with fixing flange; for screw or similar mounting types; Fixing hole 3.2 mm Ø; with 209-123 mounting carrier for DIN 35 rail**

Item No.: 262-331



## Marking

RoHS ✓  
Compliant

## Business data

Supplier	WAGO
Item no.	262-331
GTIN / EAN	4044918638746
Content	1

## Notes

## Technical data

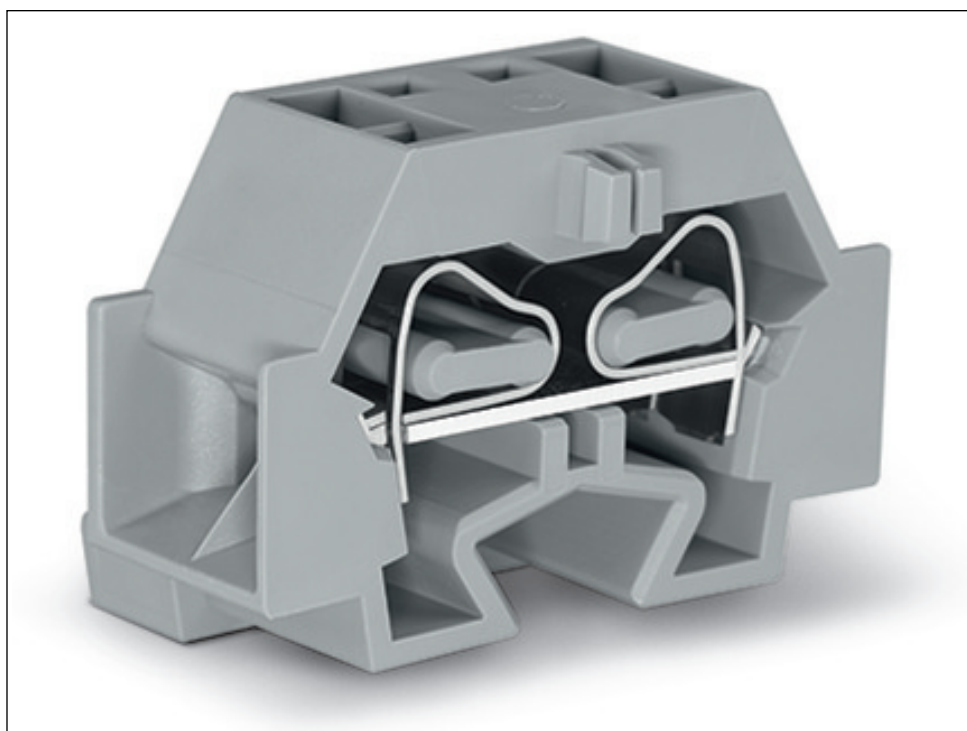
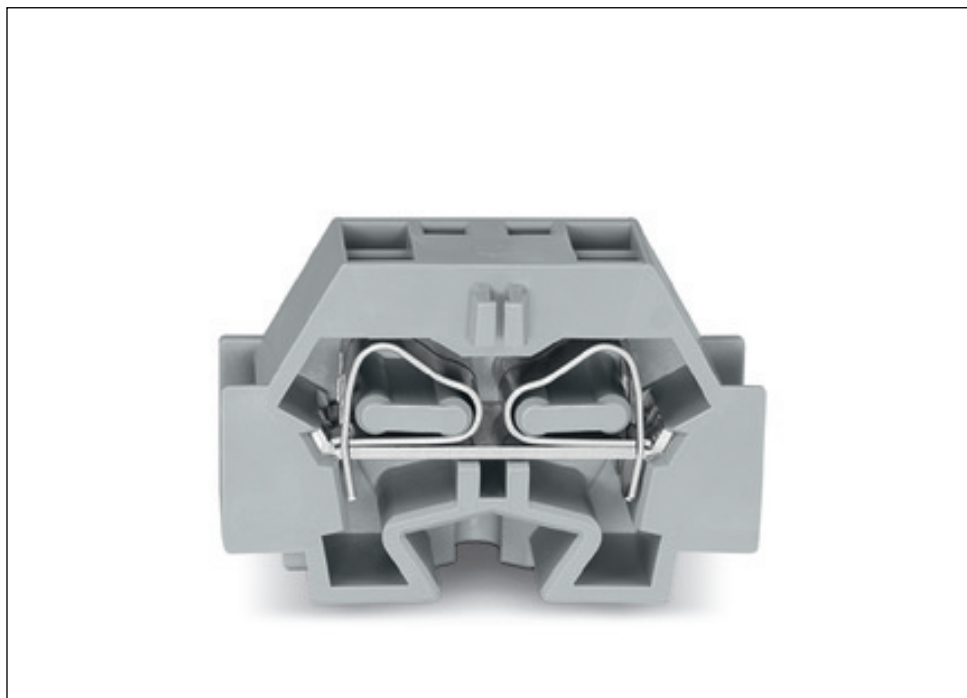
### Miscellaneous

Rated voltage (III / 3) [V]	630 [V]
Rated impulse voltage (III / 3) [kV]	8 [kV]
Rated current [A]	32 [A]
Legend (ratings)	(III / 3) Overvoltage category III / Pollution degree 3

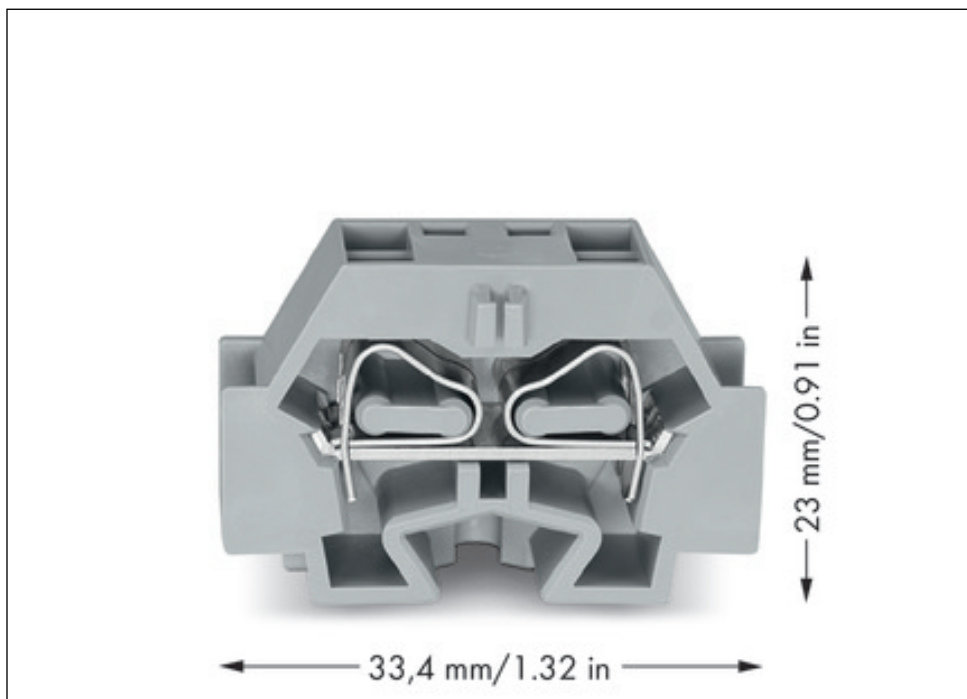
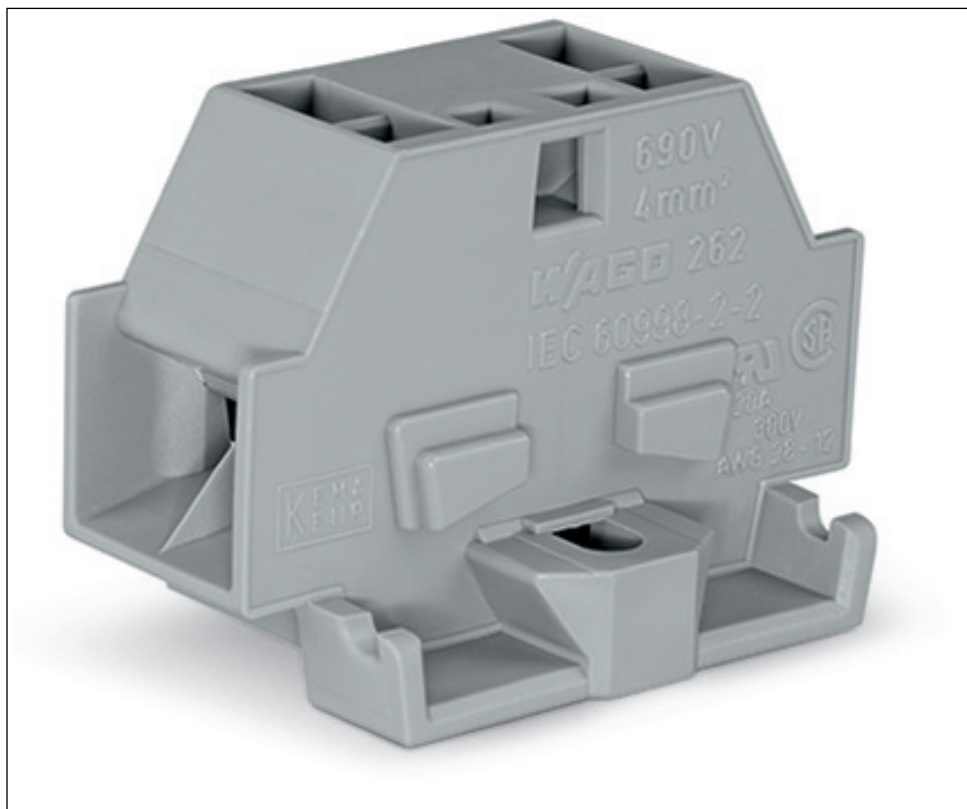
Printview: 4-conductor terminal block; with fixing flange; for screw or similar mounting types; Fixing hole 3.2 mm Ø; with 209-123 mounting carrier for DIN 35 rail - Item No.: 262-331

<b>Technical data</b>	
<i>Type of wiring</i>	<i>Side-entry wiring</i>
<i>Total number of connection points</i>	4
<i>Total number of potentials</i>	1
<i>Number of levels</i>	1
<i>Connection technology</i>	CAGE CLAMP®
<i>Actuation type</i>	<i>Operating tool</i>
<i>Connectable conductor materials</i>	Copper
<i>Solid conductor</i>	0.08 ... 4 mm <sup>2</sup> / 28 ... 12 AWG
<i>Fine-stranded conductor</i>	0.08 ... 4 mm <sup>2</sup> / 28 ... 12 AWG
<i>Strip length</i>	9 ... 10 mm / 0.35 ... 0.39 Inch
<i>Width</i>	12 mm / 0.472 Inch
<i>Height from the surface</i>	23 mm / 0.906 Inch
<i>Depth</i>	33.5 mm / 1.319 Inch
<i>Design</i>	horizontal
<i>Mounting type</i>	Mounting flange
<i>Marking level</i>	Side marking
<i>Color</i>	gray
<i>Fire load [MJ]</i>	0.111 [MJ]
<i>Weight [g]</i>	6.768 [g]
<i>Main product function</i>	Through term. block
<i>Product type</i>	Miniature rail-mount terminal blocks

Images & drawings



Printview: 4-conductor terminal block; with fixing flange; for screw or similar mounting types; Fixing hole 3.2 mm Ø; with 209-123 mounting carrier for DIN 35 rail - Item No.: 262-331



**Address**

WAGO Kontakttechnik GmbH & Co. KG

Hansastr. 27

32423 Minden

Telefon: 0571/887-0

Fax: 0571/887-169

<http://www.wago.com>

© WAGO Kontakttechnik GmbH & Co. KG

Technische Änderungen und Irrtümer vorbehalten.