



## 3-conductor through terminal block; suitable for Ex i applications

Item No.: 280-684



3-conductor through terminal block; suitable for Ex i applications

### Marking

RoHS ✓  
Compliant

### Business data

Supplier	WAGO
Item no.	280-684
GTIN / EAN	4044918391412
Content	1

### Notes

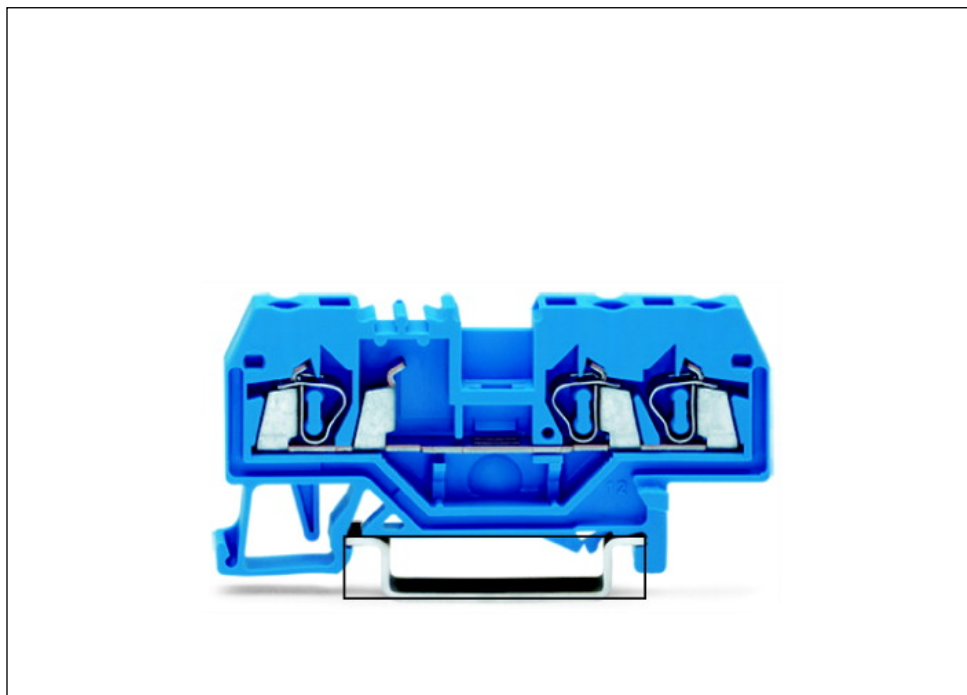
### Technical data

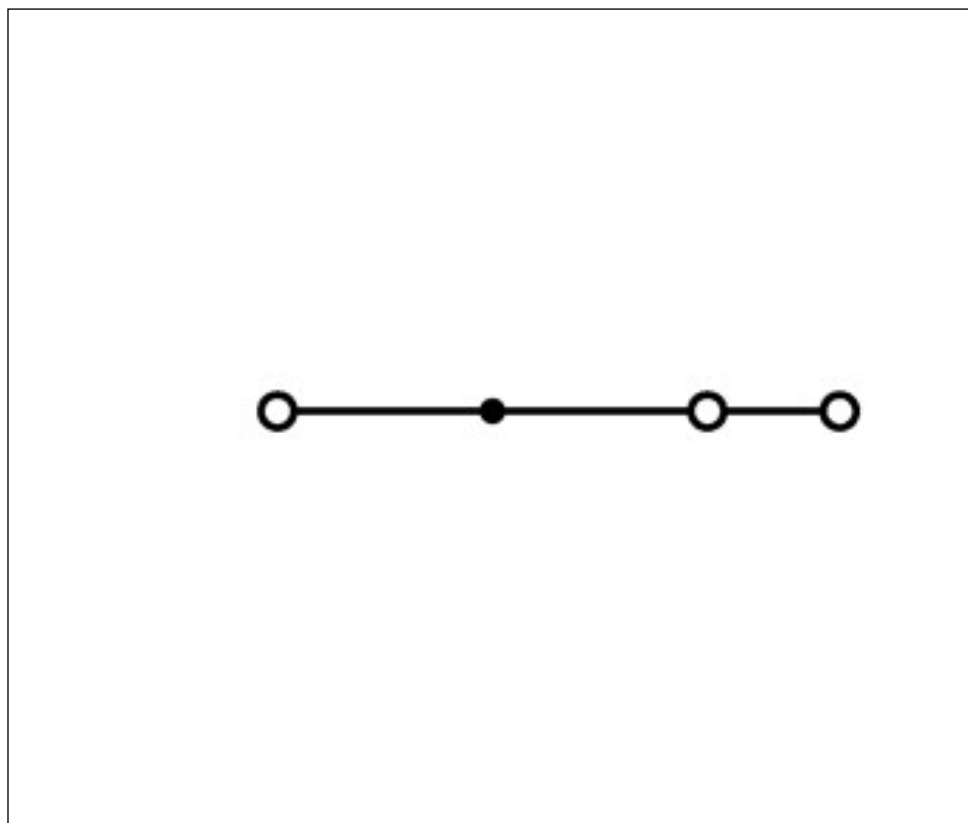
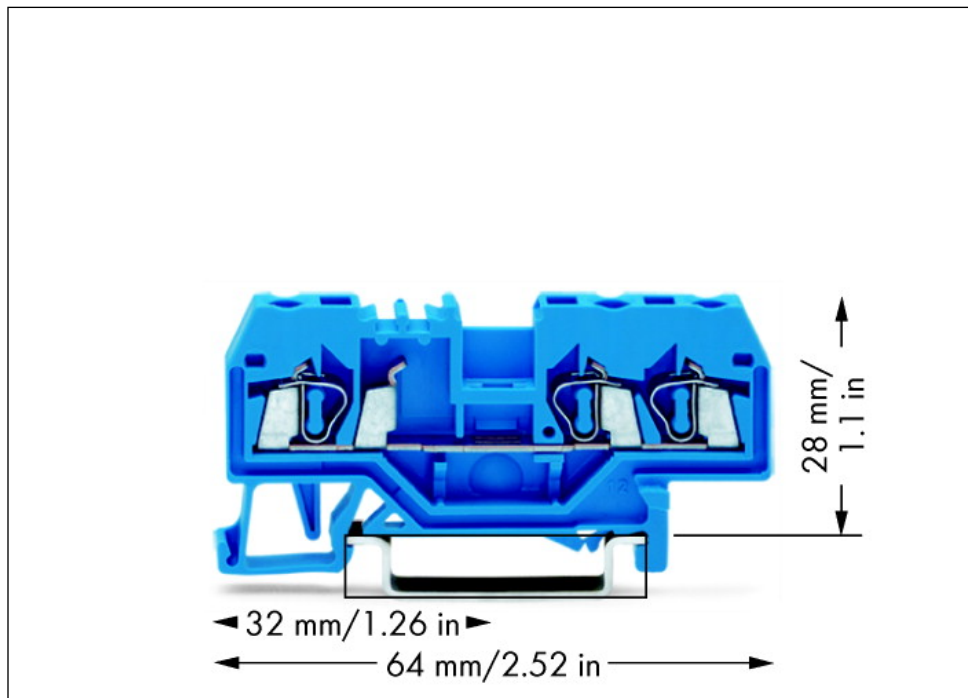
#### Miscellaneous

Ratings per	IEC/EN 60947-7-1
Rated voltage (III / 3) [V]	800 [V]
Rated impulse voltage (III / 3) [kV]	8 [kV]
Rated current [A]	24 [A]
Legend (ratings)	(III / 3) Overvoltage category III / Pollution degree 3

<b>Technical data</b>	
Type of wiring	Front-entry wiring
Total number of connection points	3
Total number of potentials	1
Number of levels	1
Connection technology	CAGE CLAMP®
Actuation type	Operating tool
Connectable conductor materials	Copper
Solid conductor	0.08 ... 2.5 mm <sup>2</sup> / 28 ... 12 AWG
Fine-stranded conductor	0.08 ... 2.5 mm <sup>2</sup> / 28 ... 12 AWG
Strip length	8 ... 9 mm / 0.31 ... 0.35 Inch
Note (conductor cross-section)	12 AWG: THHN, THWN
Width	5 mm / 0.197 Inch
Height from upper-edge of DIN-35 rail	28 mm / 1.102 Inch
Depth	64 mm / 2.52 Inch
Design	horizontal
Type of mounting	Carrier rail 35 x 15
Marking level	Center marking
Color	blue
Insulating material	Polyamide 66 (PA 66)
Fire load [MJ]	0.123 [MJ]
Weight [g]	7.576 [g]
Main product function	Through term. block
Product type	Through rail-mount term. blocks

Images & drawings





**Address**

WAGO Kontakttechnik GmbH & Co. KG

Hansastr. 27

32423 Minden

Telefon: 0571/887-0

Fax: 0571/887-169

<http://www.wago.com>

© WAGO Kontakttechnik GmbH & Co. KG

Technische Änderungen und Irrtümer vorbehalten.