

Printview: Distribution terminal block; 10 mm²; lateral marker slots; for DIN-rail 35 x 15 and 35 x 7.5; screw-type and CAGE CLAMP®connection; 3 x CAGE CLAMP® connection 10 mm²; 1 x screw-clamp connection 35 mm² - Item No.: 284-624



Distribution terminal block; 10 mm²; lateral marker slots; for DIN-rail 35 x 15 and 35 x 7.5; screw-type and CAGE CLAMP®connection; 3 x CAGE CLAMP® connection 10 mm²; 1 x screw-clamp connection 35 mm²

Item No.: 284-624



Distribution terminal block; 10 mm²; lateral marker slots; for DIN-rail 35 x 15 and 35 x 7.5; screw-type and CAGE CLAMP®connection; 3 x CAGE CLAMP® connection 10 mm²; 1 x screw-clamp connection 35 mm²

Marking

RoHS ✓
Compliant

Business data

Supplier	WAGO
Item no.	284-624
GTIN / EAN	4045454282578
Content	1

Notes

Technical data

Miscellaneous

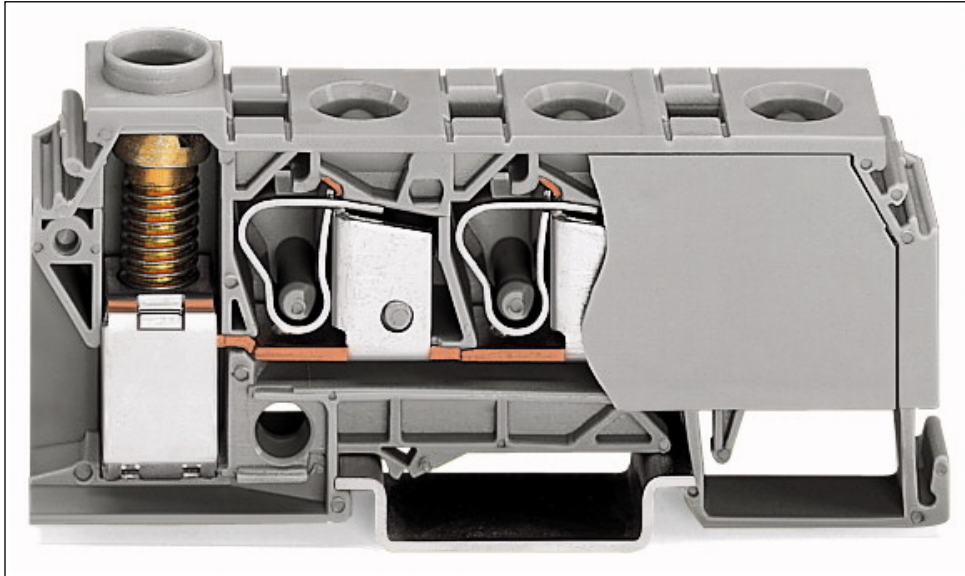
Safety information 1	Screw torque: 3.5Nm
Rated voltage (III / 3) [V]	800 [V]
Rated impulse voltage (III / 3) [kV]	8 [kV]

Printview: Distribution terminal block; 10 mm²; lateral marker slots; for DIN-rail 35 x 15 and 35 x 7.5; screw-type and CAGE CLAMP® connection; 3 x CAGE CLAMP® connection 10 mm²; 1 x screw-clamp connection 35 mm² - Item No.: 284-624

Technical data	
<i>Rated current [A]</i>	125 [A]
<i>Legend (ratings)</i>	(III / 3) Overvoltage category III / Pollution degree 3
<i>Connection technology</i>	CAGE CLAMP®
<i>Number of connection points (connection type)</i>	3
<i>Actuation type</i>	Operating tool
<i>Connectable conductor materials</i>	Copper
<i>Solid conductor</i>	0.2 ... 10 mm ² / 24 ... 8 AWG
<i>Fine-stranded conductor</i>	0.2 ... 10 mm ² / 24 ... 8 AWG
<i>Strip length</i>	12 ... 14 mm / 0.47 ... 0.55 Inch
<i>Connection technology 2</i>	Screw clamp connection
<i>Number of connection points (connection type 2)</i>	1
<i>Solid conductor (2)</i>	6 ... 35 mm ² / 10 ... 2 AWG
<i>Fine-stranded conductor (2)</i>	6 ... 35 mm ² / 10 ... 2 AWG
<i>Total number of connection points</i>	4
<i>Total number of potentials</i>	1
<i>Number of levels</i>	1
<i>Type of wiring</i>	Front-/Side-entry wiring
<i>Width</i>	17.5 mm / 0.689 Inch
<i>Height from upper-edge of DIN-35 rail</i>	39.5 mm / 1.555 Inch
<i>Depth</i>	89 mm / 3.504 Inch
<i>Design</i>	horizontal
<i>Type of mounting</i>	Carrier rail 35 x 15
<i>Marking level</i>	Side marking
<i>Color</i>	blue
<i>Insulating material</i>	Polyamide 66 (PA 66)
<i>Weight [g]</i>	55.6 [g]
<i>Packaging type</i>	BOX
<i>Main product function</i>	Distribution term. block
<i>Product type</i>	Function modules

Printview: Distribution terminal block; 10 mm²; lateral marker slots; for DIN-rail 35 x 15 and 35 x 7.5; screw-type and CAGE CLAMP® connection; 3 x CAGE CLAMP® connection 10 mm²; 1 x screw-clamp connection 35 mm² - Item No.: 284-624

Images & drawings



Address

WAGO Kontakttechnik GmbH & Co. KG

Hansastr. 27

32423 Minden

Telefon: 0571/887-0

Fax: 0571/887-169

<http://www.wago.com>

© WAGO Kontakttechnik GmbH & Co. KG

Technische Änderungen und Irrtümer vorbehalten.