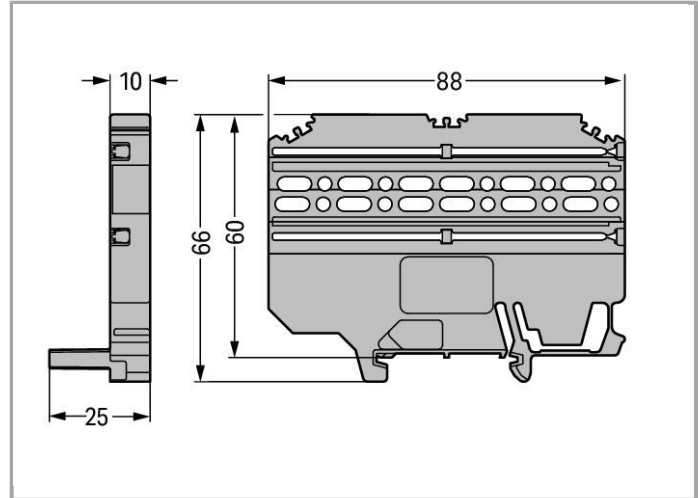


Data sheet | Item number: 209-148

Multi mounting adapter; for male and female connectors with snap-in mounting feet



www.wago.com/209-148



RoHS Compliant

[BOMcheck.net](https://www.bomcheck.net)

Data

Geometrical Data

Width	25 mm / 0.984 inch
Height	60 mm / 2.362 inch
Depth	88 mm / 3.465 inch

Mechanical data

Mounting type	Snap-in mounting foot
Type of mounting	DIN-35 rail



Material Data

Fire load	0.458 MJ
Weight	18.24 g

Subject to changes.

WAGO Kontakttechnik GmbH & Co. KG
Hansastr. 27
32423 Minden
Phone: +49571 887-0 | Fax: +49571 887-169
Email: info.de@wago.com | Web: www.wago.com

Do you have any questions about our products?
We are always happy to take your call at 01788 568 008.