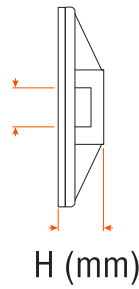
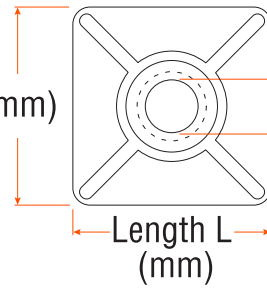


19 x 19mm

Max. Cable Tie
Width (mm)



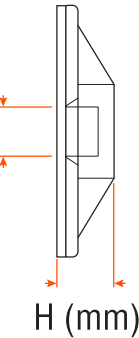
Width W (mm)



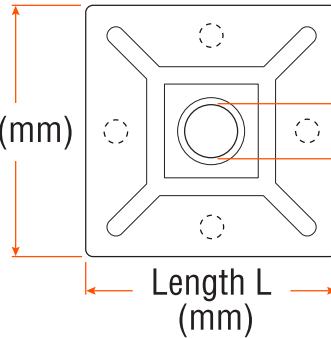
D (mm)

**26.1 x 26.1mm
28.6 x 28.6mm**

Max. Cable Tie
Width (mm)



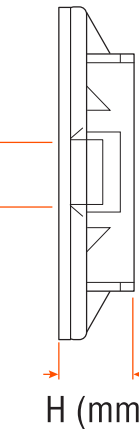
Width W (mm)



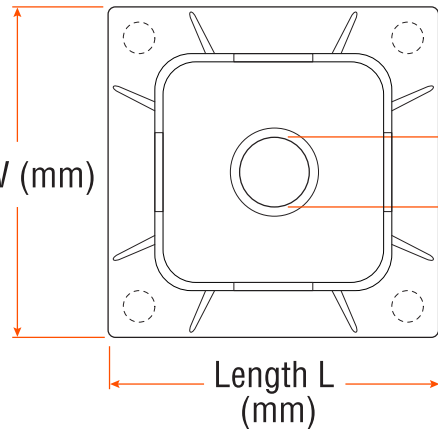
D (mm)

40 x 40mm

Max. Cable Tie
Width (mm)



Width W (mm)



D (mm)

Materials: UL approved Polyamide 6.6, 94V-2
Adhesives: Double coated polyethylene foam tape (acrylic, 0.62mm thickness)
Feature: Self-adhesive tie mounts are designed to support light weight wire bundles
Application: For heavy support, mounting hole is provided for screws
Operating Temp: -20 °C to +85 °C



Order code	MPN	Colour	Width W (mm)	Length L (mm)	Dimensions H (mm)	Suitable for Max. Cable Tie Width (mm)	Hole (mm)
04-0915	UNI-CA19x19-B	Black	19.0	19.0	3.9	4.8	5.2
	UNI-CA26x26-B	Black	26.1	26.1	6.0	8.0	4.3
04-0917	UNI-CA28x28-B	Black	28.6	28.6	5.3	5.5	5.0
	UNI-CA40x40-B	Black	38.5	38.5	7.6	10.2	5.0
04-0916	UNI-CA19x19-N	Natural	19.0	19.0	3.9	4.8	5.2
	UNI-CA26x26-N	Natural	26.1	26.1	6.0	8.0	4.3
04-0918	UNI-CA28x28-N	Natural	28.6	28.6	5.3	5.5	5.0
	UNI-CA40x40-N	Natural	38.5	38.5	7.6	10.2	5.0

For further information on pricing, delivery, and long-term stock agreements please get in touch with your local business development contact, telephone our main office on 01206 838000 or email Sales@Rapidonline.com.