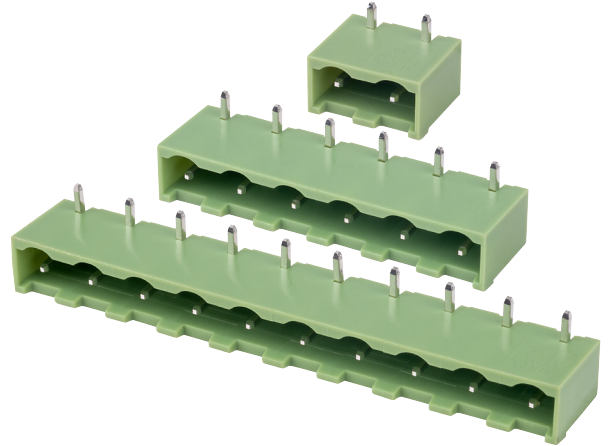


7.5mm Header Right Angle Closed 15A Terminal Blocks

Specifications

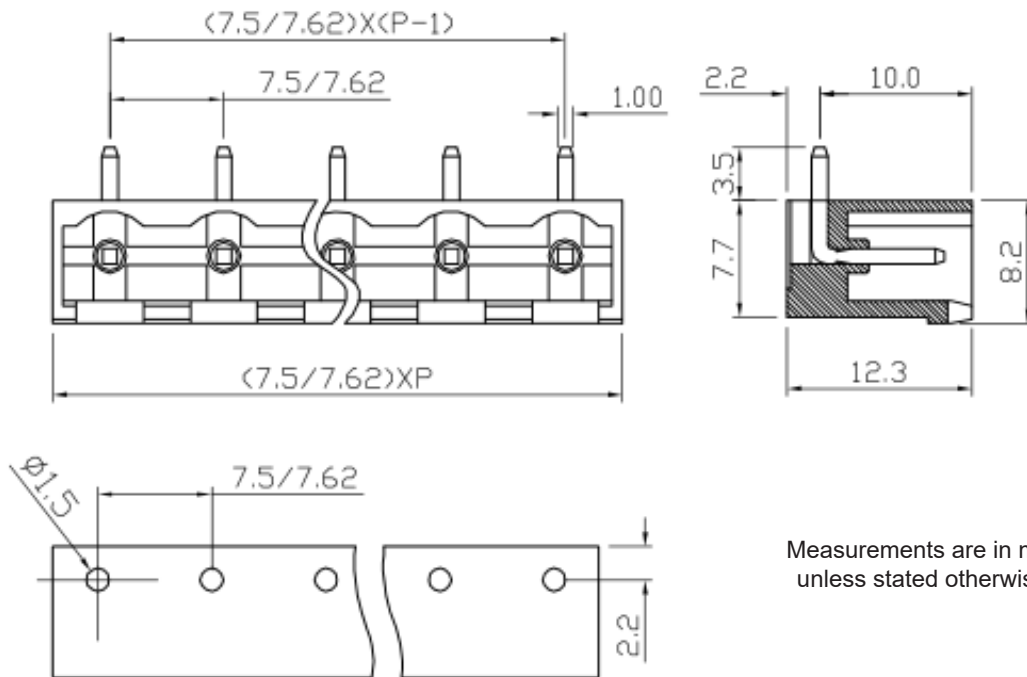
Pitch:	7.5mm
Type:	Horizontal, Closed-ended
Poles:	2 to 12
Rated Voltage:	300V
Rated Current:	15A
Operational Temperature:	-40°C to +105°C
Withstand Voltage:	2500V AC for 60s
Insulation Resistance:	500MΩ at 500V DC
Wave Soldering:	260°C for 5s
Hand Soldering:	350°C for 10s



Colour and Materials

Housing Colour:	Green
Housing Material:	PA66
Flame Retardancy:	UL94-V0
Pin Header:	Tin-plated brass

Order Code	Poles	Order Code	Poles
21-5400	2	21-5405	8
21-5401	3	21-5432	9
21-5402	4	21-5406	10
21-5403	5	21-5433	11
21-5404	6	21-5407	12
21-5431	7		



Measurements are in mm unless stated otherwise.

PCB

For further information on pricing, delivery, and long-term stock agreements please get in touch with your local business development contact. Telephone our main office on **01206 751166** or email Sales@Rapidoonline.com.

The information contained in this datasheet is subject to change without notice and replaces all data sheets previously supplied.

