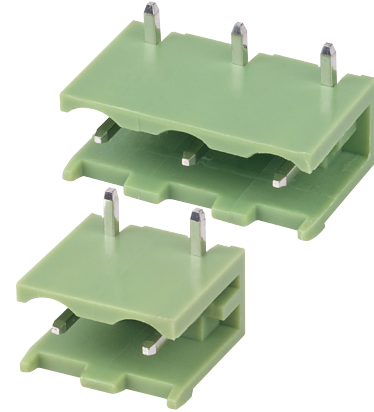


# 7.5mm Header Right Angle Open 15A Terminal Blocks

## Specifications

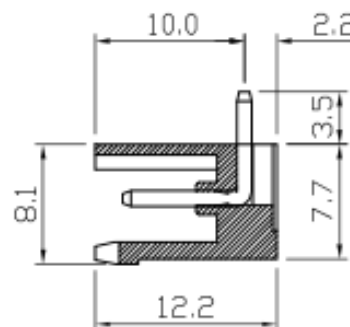
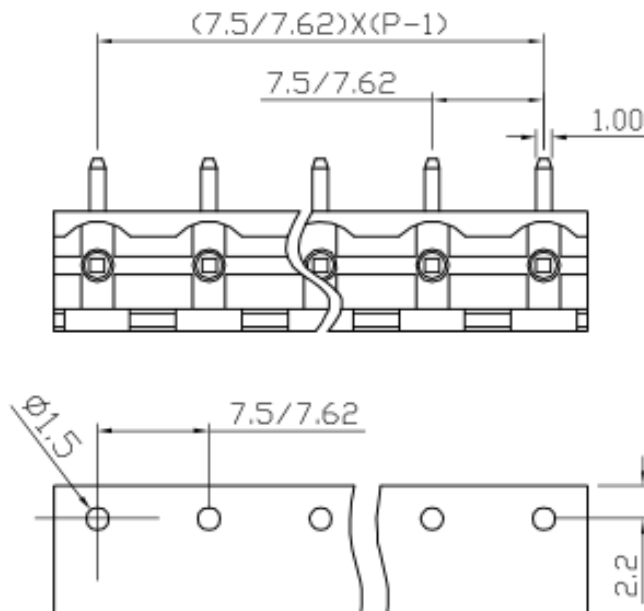
Pitch:	7.5mm
Type:	Horizontal, Open-ended
Poles:	2 to 12
Rated Voltage:	300V
Rated Current:	15A
Operational Temperature:	-40°C to +105°C
Withstand Voltage:	2500V AC for 60s
Insulation Resistance:	500MΩ at 500V DC
Wave Soldering:	260°C for 5s
Hand Soldering:	350°C for 10s



## Colour and Materials

Housing Colour:	Green
Housing Material:	PA66
Flame Retardancy:	UL94-V0
Pin Header:	Tin-plated brass

Order Code	Poles	Order Code	Poles
21-5420	2	21-5438	8
21-5421	3	21-5439	9
21-5434	4	21-5440	10
21-5435	5	21-5441	11
21-5436	6	21-5442	12
21-5437	7		



Measurements are in mm unless stated otherwise.

PCB

For further information on pricing, delivery, and long-term stock agreements please get in touch with your local business development contact. Telephone our main office on **01206 751166** or email **Sales@Rapidonline.com**.

The information contained in this datasheet is subject to change without notice and replaces all data sheets previously supplied.



SCAN ME