

Hexagon Full Nut to DIN



DESCRIPTION

Nylon Hexagonal Full Nuts with a self-coloured, natural finish and good wear resistance.

DISTINCTIVE FEATURES

- Hexagonal
- Nylon 6/6, Self-coloured Natural Finish
- Lightweight
- Oil, Grease & Solvent Resistant
- Non-corrosive
- Non-conductive
- Non-flammable
- Wear Resistant
- M8 option
- Supplied in packs of 100

APPLICATIONS

Suitable for general use. These Hexagon shaped nuts can be used with a large variety of machine-thread fasteners, including machine screws, bolts, studs, anchors and threaded rods.

Suitable for use in environments where corrosion resistance and good insulation is required, and in non-severe chemical environments.

Applications include use in electronic, medical, food and domestic equipment, magnetic equipment, industrial, chemical, high voltage and marine environments.

Nylon

Self
Colour





GENERAL SPECIFICATION

| | |
|--------|-------------------------|
| Series | Hexagon Full Nut to DIN |
| Type | Standard |



MATERIALS

| | |
|----------|------------------------|
| Material | Nylon 6/6 V2 / TMS 001 |
| Finish | Self Colour |



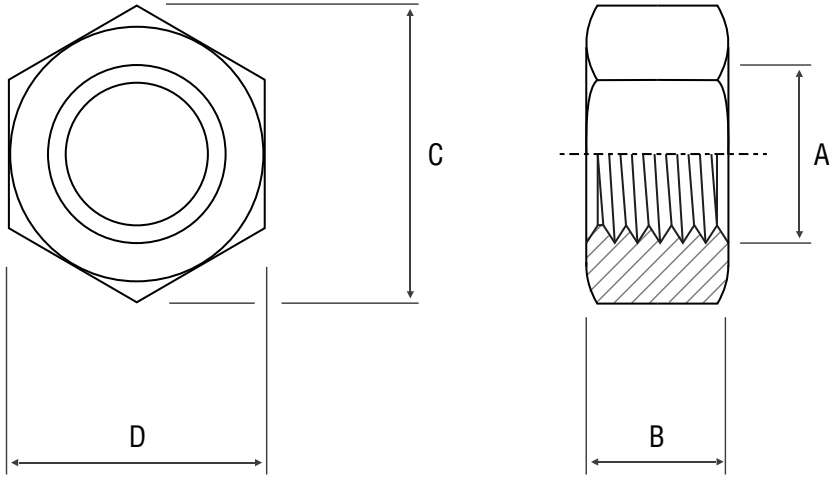
CERTIFICATION AND STANDARDS

| | |
|------------------------|---------|
| Material Specification | DIN 555 |
|------------------------|---------|



DIMENSIONS/DRAWINGS

| | |
|-------|------------------------------|
| Units | mm - unless stated otherwise |
|-------|------------------------------|



PART NUMBER TABLE

| Part number | A | B | C | D | Pack quantity | UNSPSC | EAN | Country of Origin |
|----------------|----|-----|------|------|---------------|----------|---------------|-------------------|
| 33-7182 | M8 | 6.4 | 14.2 | 13.0 | 100 | 39269097 | 5053556010950 | United Kingdom |

For further information on pricing, delivery, and long-term stock agreements please get in touch with your local business development contact, telephone our main office on **01206 751166** or email **Sales@Rapidonline.com**.



Important Notice: This data sheet and its contents (the "Information") belong to Rapid Electronics Limited or are licensed to it. No licence is granted for the use of it other than for information purposes in connection with the products to which it relates. No licence of any intellectual property rights is granted. The Information is subject to change without notice and replaces all data sheets previously supplied. The Information supplied is believed to be accurate but Rapid Electronics Limited assumes no responsibility for its accuracy or completeness, any error in or omission from it or for any use made of it. Users of this data sheet should check for themselves the Information and the suitability of the products for their purpose and not make any assumptions based on information included or omitted. Liability for loss or damage resulting from any reliance on the Information or use of it (including liability resulting from negligence or where Rapid Electronics Limited were aware of the possibility of such loss or damage arising) is excluded. This will not operate to limit or restrict Rapid Electronics Limited's liability for death or personal injury resulting from its negligence.