

Hexagon Nylon Insert Lock Nut



DESCRIPTION

A range of Steel Hexagonal Nuts with a Nylon locking insert, excellent mechanical strength and a bright zinc-plated, passivated finish for corrosion resistance.

DISTINCTIVE FEATURES

- Hexagonal
- Grade 6 Steel
- Zinc & Clear Cr3 Finish
- M3, M4, M5 and M6 options
- Supplied in packs of 100

APPLICATIONS

Suitable for general use. The nylon insert makes them ideal in applications where vibration or motion could loosen or undo the nut. These Hexagon shaped nuts with nylon insert can be used with a large variety of machine-thread fasteners, including machine screws, bolts, studs, anchors and threaded rods.

Typical applications include use in electronic and domestic equipment, general repair and maintenance, circuit board mounting, prototyping, etc. where vibration that could loosen the nuts is a consideration.

Steel

Zinc
& Clear
Cr3





GENERAL SPECIFICATION

Series	Hexagon Nut to DIN
Type	Hexagon Nylon Insert Lock Nut



MATERIALS

Material	Grade 6 Steel
Finish	Zinc & Clear Cr3



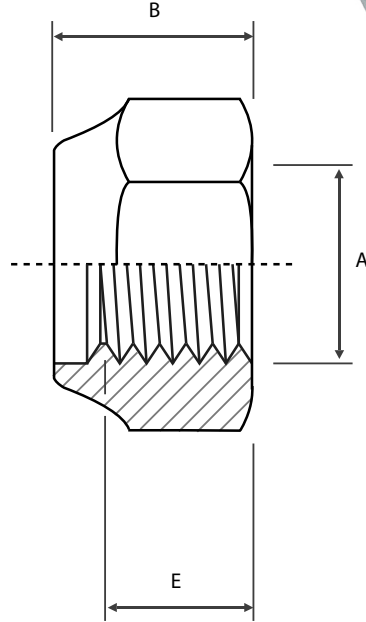
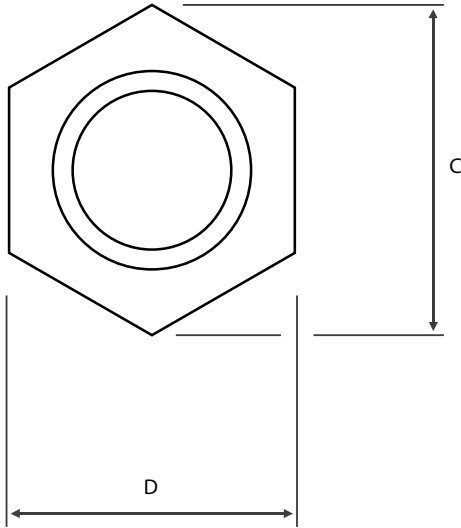
CERTIFICATION AND STANDARDS

Material Specification	DIN 985
------------------------	---------



DIMENSIONS/DRAWINGS

Units	mm - unless stated otherwise
-------	------------------------------



PART NUMBER TABLE

Part number	A	B	C	D	E	Pack quantity	UNSPSC	EAN	Country of Origin
33-7220	M3	4.0	6.0	5.5	2.4	100	73181660	5053556011339	China
33-7221	M4	5.0	7.7	7.0	2.9		73181660	5053556011346	China
33-7222	M5	5.0	8.8	8.0	3.2		73181660	5053556011353	China
33-7223	M6	6.0	11.1	10	4.0		73181660	5053556011360	China

For further information on pricing, delivery, and long-term stock agreements please get in touch with your local business development contact, telephone our main office on **01206 838000** or email **Sales@Rapidonline.com**.



Important Notice: This data sheet and its contents (the "Information") belong to Rapid Electronics Limited or are licensed to it. No licence is granted for the use of it other than for information purposes in connection with the products to which it relates. No licence of any intellectual property rights is granted. The Information is subject to change without notice and replaces all data sheets previously supplied. The Information supplied is believed to be accurate but Rapid Electronics Limited assumes no responsibility for its accuracy or completeness, any error in or omission from it or for any use made of it. Users of this data sheet should check for themselves the Information and the suitability of the products for their purpose and not make any assumptions based on information included or omitted. Liability for loss or damage resulting from any reliance on the Information or use of it (including liability resulting from negligence or where Rapid Electronics Limited were aware of the possibility of such loss or damage arising) is excluded. This will not operate to limit or restrict Rapid Electronics Limited's liability for death or personal injury resulting from its negligence.