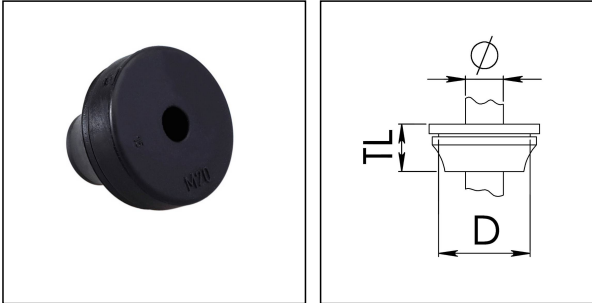


## FD 32

### FLIP cable grommet



Product illustrations are exemplary and may differ from the chosen product. Further variants and individual customization, we will gladly provide you on request.



<b>Material</b>	EPDM
<b>Temp. range min</b>	-40 °C
<b>Temp. range max</b>	110 °C
<b>Protection class</b>	IP66 / IP67
<b>Thread type</b>	M
<b>Ø Connection thread D</b>	32
<b>Ø cable diameter min</b>	15 mm
<b>Ø cable diameter max</b>	20 mm
<b>Total length TL</b>	25 mm
<b>Ø Drilling</b>	32 mm - 33 mm
<b>Wall thickness S</b>	1 mm - 4 mm
<b>Product Color</b>	RAL 9005
<b>Order no. RAL 9005</b>	50062895
<b>Type</b>	FD 32
<b>Packing unit</b>	25
<b>ETIM-Classification</b>	EC000451

18.07.2018

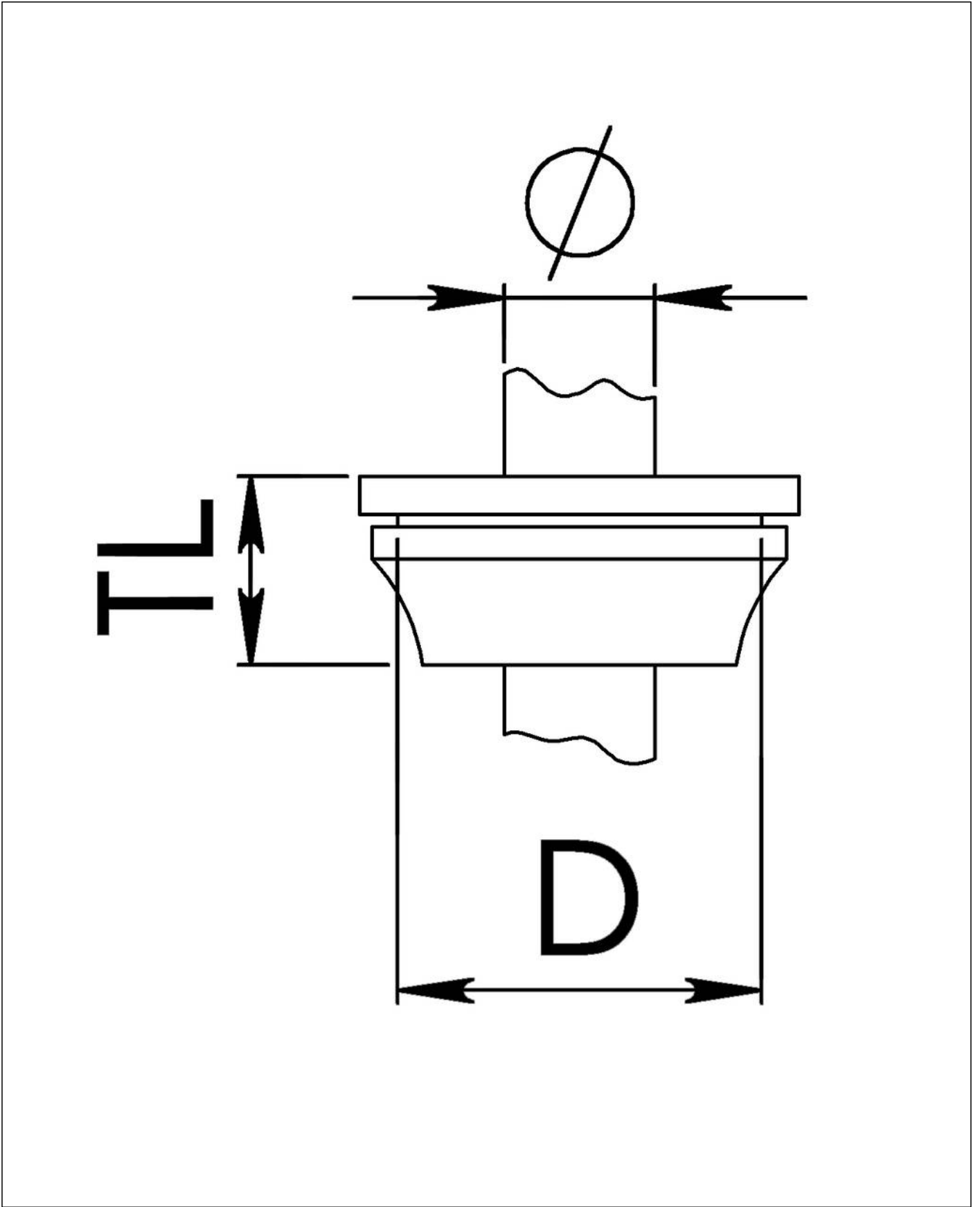
Your Contact:

**WISKA UK Ltd.**

Unit 7, Hurling Way · St. Columb Major Business Park · TR9 6SX, St. Columb Major, Cornwall · Great Britain

☎ +44-12-08816062 · 📠 +44-12-08816708

info@wiska.co.uk · www.wiska.co.uk



Your Contact:  
**WISKA UK Ltd.**  
Unit 7, Hurling Way · St. Columb Major Business Park · TR9 6SX, St. Columb Major, Cornwall · Great Britain  
☎ +44-12-08816062 · 📠 +44-12-08816708  
info@wiska.co.uk · www.wiska.co.uk

Other technical data on request / subject to change without notice