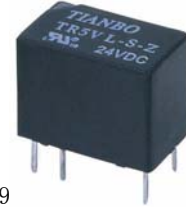
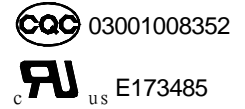


| | |
|-----------------------------------|----------------------------------|
| <h1 style="margin: 0;">通信继电器</h1> | <h1 style="margin: 0;">TR5V</h1> |
|-----------------------------------|----------------------------------|

- Designed for thermostat modem, computer peripherals, video recording and security applications
- Surge Strength 1500V FCC68
- Low coil power requirement for IC compatibility
- Terminals arranged on gird pattern
- Designed for compact, high density mounting
- Conform to RoHS, ELV directive



12.4×7.4×9.9



■ ORDERING CODE 订购代码

| | | | | |
|---|-----------------------------------|---|--------------------------------|---|
| <u>TR5V</u> <u>D</u> — <u>S</u> — <u>Z</u> / <u>12VDC</u> | | | | |
| 1 | 2 | 3 | 4 | 5 |
| 1. Relay Model 继电器型号 | | | 4. 触点转换形式 | |
| 2. Coil Power 线圈功率 | | | Z Form C | |
| | D=0.36W, L=0.2W, M=0.15W, N=0.45W | | 5. Coil Nominal Voltage 线圈额定电压 | |
| 3. S: Sealed 密封 | | | 3,5,6,9,12,24VDC | |

■ COIL DATA 线圈参数 (at 20°C)

| | | | | | | | |
|---|------|------|-----|------|-----|------|-------|
| Nominal Voltage 额定电压(VDC) | 3 | 5 | 6 | 9 | 12 | 24 | 0.36W |
| Coil Resistance 线圈阻值($\Omega \pm 10\%$) | 25 | 70 | 100 | 220 | 400 | 1600 | |
| Rated Current 额定电流(mA) | 120 | 72 | 60 | 40 | 30 | 15 | |
| Max Operate Voltage 最大吸合电压(VDC) | 2.25 | 3.75 | 4.5 | 6.75 | 9 | 18 | |
| Min Release Voltage 最小释放电压(VDC) | 0.3 | 0.5 | 0.6 | 0.9 | 1.2 | 2.4 | |

■ CONTACT DATA 触点参数

| | |
|-----------------------------|---|
| Contact Form触点形式 | 1Z |
| Contact Material触点材料 | Silver Alloy |
| Load负载 | Resistive load(COS Φ=1) |
| Contact Ratings触点负载 | 1A 120VAC 1A 24VDC |
| Minimum load 最小负载 | 1mA 5VDC |
| Max Switching Voltage最大转换电压 | 120VAC/60VDC |
| Max Switching Current最大转换电流 | 1A |
| Max Switching Power 最大转换功率 | 120VA/30W |
| Contact Resistance接触电阻 | 100m Ω Max at 6VDC 1A |
| Life Expectancy寿命 | Electrical 电气寿命: 100,000 Operations(at30Operations/minute) |
| | Mechanical机械寿命: 10,000,000 Operations(at300Operations/minute) |

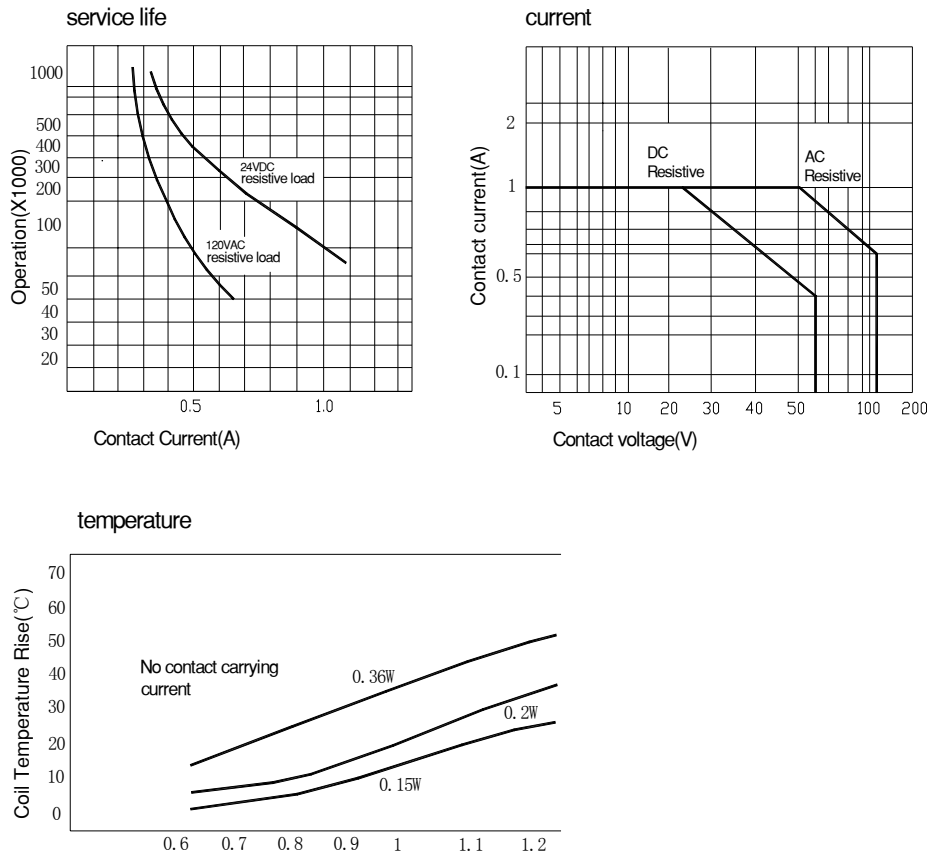
■ CHARACTERISTICS DATA 性能参数

| | |
|--|------------------------------------|
| Insulation Resistance绝缘阻值 | 1000M Ω Min at 500VDC |
| Dielectric Strength Between Open Contacts触点间耐压 | 400VAC(for one minute) |
| Between Contacts and coil触点与线圈间耐压 | 1000VAC(for one minute) |
| Operate Time吸合时间 | 4ms |
| Release Time释放时间 | 3ms |
| Temperature Range环境温度 | -30°C to +70°C |
| Shock Resistance冲击 | Operating Extremes动作极限: 10G |
| | Damage Limits破坏极限: 100G |
| Vibration Resistance振动 | 10-55Hz, Double amplitude of 1.5mm |
| Max. switching frequency最大转换频率 | Mechanical: 18,000operations/hr |
| | Electrical: 1,800operations/hr |
| Humidity湿度 | 35-85% |
| Weight重量 | Approx 2.2g |
| Safety Standard安全标准 | UL cUL CQC |

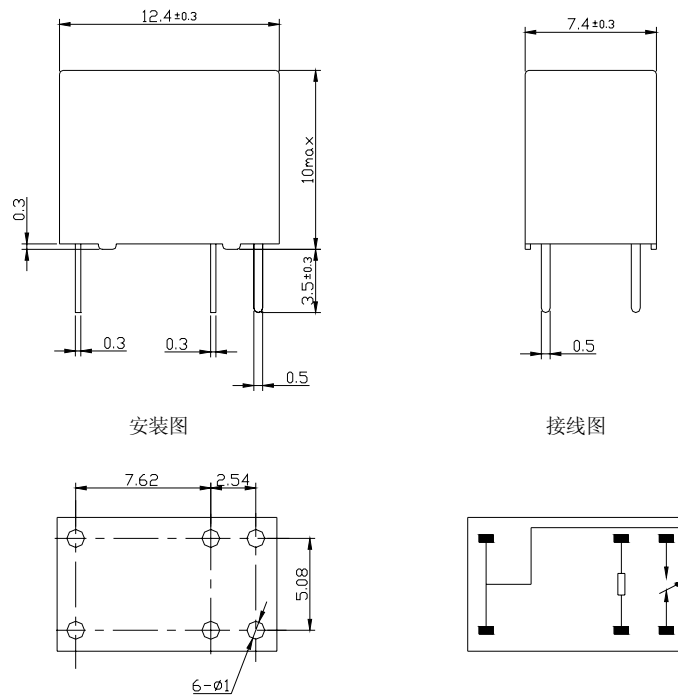
■ APPROVED STANDARDS 安全标准

| Model(型号) | Coiling rating (线圈电压) | Safety Standard (安全标准) | Contact rating (触点负载) |
|-----------|-----------------------|------------------------|-----------------------|
| TR5V | 3 to 24VDC | UL/cUL | 2A 120VAC 2A 24VDC |
| | | CQC | 2A 120VAC 2A 24VDC |

ENGINEERING DATA 设计参数



OVERALL AND MOUNTING DIMENSIONS 安装图



声明:

本产品规格书仅供客户使用时参考，如有更改，恕不另行通知。