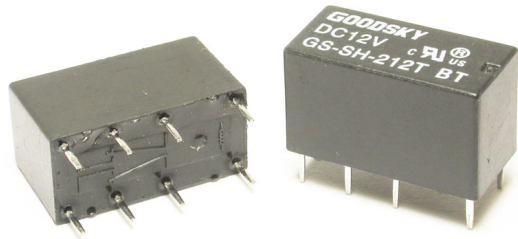


Best Sellers

Order code	Manufacturer code	Description
60-4690	GS-SH-205D	5V GS-D SERIES 1A DPDT RELAY (RC)
60-4690	GS-SH-205D	5V GS-D SERIES 1A DPDT RELAY (RC)
60-4692	GS-SH212D	12V GS-D SERIES 1A DPDT RELAY RC
60-4694	GS-SH-224D	24V GS-D SERIES 1A DPDT RELAY RC

Best Sellers	Page 1 of 3
The enclosed information is believed to be correct, Information may change without notice due to product improvement. Users should ensure that the product is suitable for their use. E. & O. E.	Revision A 20/02/2007



Main Feature

1. 92/8 gold silver alloy on silver palladium contact type is suitable for low level switching application.
2. Small size and light weight can provide high density P.C. Board mounting.
3. 2.54gmm Terminal Pitch.
4. Low Coil Power Consumption of GS-T Type and high Coil Power Consumption of GS-D type are available to meet user's selection.
5. Employment of suitable plastic materials to be applied to high temperature and various chemical solution.
6. Plastic epoxy resin sealed type for washing procedure.

Application

Telecommunication, domestic appliances, office machine, audio equipment, Remote Control, etc.

Contact Rating

- Nominal Load (Resistive Load $\cos \varphi = 1$)
Contact Capacity1A at 120VAC.
 2A at 24VDC.
Rated Carrying Current2A.
Max. Allowable Current2A.
Max. Allowable VoltageAC 120V, DC 24V.
Max. Allowable Power Force.50 VA, 30W.
Min. Switching LoadDC 1V, 1mA.
- Contact MaterialAg Alloy.
- Contact Form.....DPDT.

Performance (at Initial Value)

- Contact Resistance.....100mΩMax.@100mA,6VDC
- Operate Time.....GS-D 6 mSec. Max.
 GS-T 8 mSec. Max
- Release Time4 mSec. Max.
- Dielectric Strength :
Between Coil & Contact1,000VAC at 50/60 Hz
 for one minute.
Between Contacts500VAC at 50/60 Hz
 for one minute.
- Surge Resistance1,500V (between coil
 & contact 1.2x50μSec.)
- Insulation Resistance100 MegaΩ Min. at
 500VDC.

- Max. On/Off Switching :
Electrical..... 30 Ops per Minute.
Mechanical..... 300 Ops per Minute.
- Temperature Range -30~80°C
- Humidity Range..... 45~85% RH.
- Coil Temperature Rise..... 25°C Max. (D Type)
 20°C Max. (T Type)
- Vibration :
Endurance 10 to 55 Hz dual
 amplitude width 1.5mm.
Error Operation 10 to 55 Hz dual
 amplitude width 1.5mm.
- Shock :
Endurance 1,000 m/S² Min.
Error Operation 100 m/S² Min.
- Life Expectancy :
Mechanical 10⁷ Operations at No
 Load condition.
Electrical 10⁵ Operations at
 Rated Resistive Load.
- Weight..... About 5.0 g.

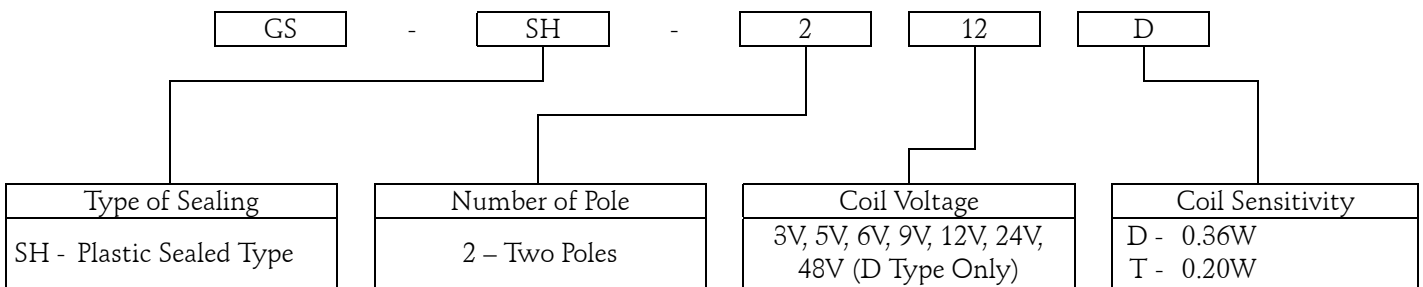
Safety Standard & Its File Number:

- C-UL..... E141060

Coil Specification (at 20°C)

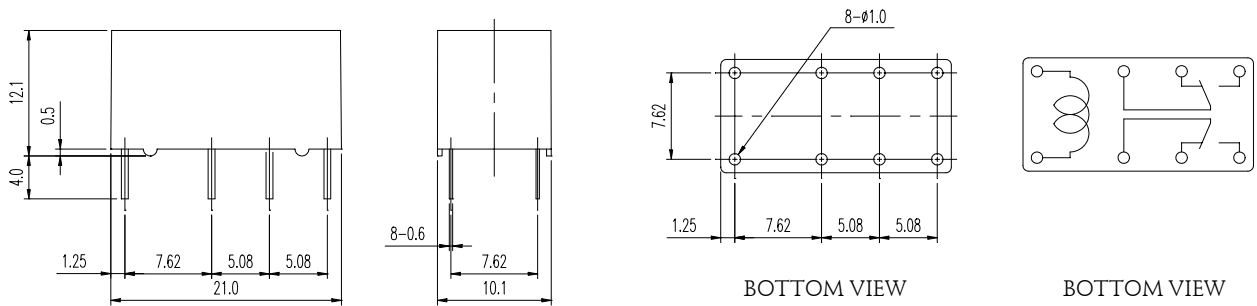
Coil Sensitivity	Nominal Voltage (VDC)	Nominal Current (mA)	Coil Resistance ($\Omega \pm 10\%$)	Power Consumption (W)	Pull-In Voltage (VDC)	Drop-Out Voltage (VDC)	Maximum Allowable Voltage (VDC)
GS - D	3	120	25	Abt. 0.36	75% Maximum	10% Minimum	150%
	5	71.4	70				
	6	60	100				
	9	40	225				
	12	30	400				
	24	15	1,600				
GS - T	3	66.7	45	Abt. 0.20	75% Maximum	10% Minimum	150%
	5	40	125				
	6	33.3	180				
	9	22.2	405				
	12	16.7	720				
	24	8.3	2,880				

Ordering Information:



Dimension:

GS-SH



Reference Data:

