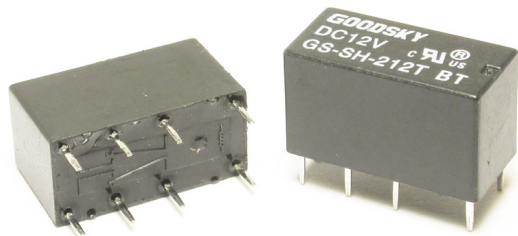


Order code	Manufacturer code	Description
60-4754	n/a	5V DPDT SUBMINIATURE RELAY (RC)
60-4756	n/a	12V DPDT SUBMINIATURE RELAY (RC)

	Page 1 of 3
The enclosed information is believed to be correct, Information may change without notice due to product improvement. Users should ensure that the product is suitable for their use. E. & O. E.	Revision A 20/02/2007



Main Feature

- 92/8 gold silver alloy on silver palladium contact type is suitable for low level switching application.
- Small size and light weight can provide high density P.C. Board mounting.
- 2.54gmm Terminal Pitch.
- Low Coil Power Consumption of GS-T Type and high Coil Power Consumption of GS-D type are available to meet user's selection.
- Employment of suitable plastic materials to be applied to high temperature and various chemical solution.
- Plastic epoxy resin sealed type for washing procedure.

Application

Telecommunication, domestic appliances, office machine, audio equipment, Remote Control, etc.

Contact Rating

- Nominal Load (Resistive Load $\text{Cos } \varphi = 1$)
 Contact Capacity1A at 120VAC.
 2A at 24VDC.
 Rated Carrying Current2A.
 Max. Allowable Current2A.
 Max. Allowable VoltageAC 120V, DC 24V.
 Max. Allowable Power Force.50 VA, 30W.
 Min. Switching LoadDC 1V, 1mA.
- Contact MaterialAg Alloy.
- Contact Form.....DPDT.

Performance (at Initial Value)

- Contact Resistance.....100m Ω Max.@100mA,6VDC
- Operate Time.....GS-D 6 mSec. Max.
 GS-T 8 mSec. Max
- Release Time4 mSec. Max.
- Dielectric Strength :
 Between Coil & Contact1,000VAC at 50/60 Hz
 for one minute.
 Between Contacts500VAC at 50/60 Hz
 for one minute.
- Surge Resistance1,500V (between coil
 & contact 1.2x50 μ Sec.)
- Insulation Resistance100 Mega Ω Min. at
 500VDC.

- Max. On/Off Switching :
 Electrical..... 30 Ops per Minute.
 Mechanical..... 300 Ops per Minute.
- Temperature Range -30~80°C
- Humidity Range..... 45~85% RH.
- Coil Temperature Rise..... 25°C Max. (D Type)
 20°C Max. (T Type)
- Vibration :
 Endurance 10 to 55 Hz dual
 amplitude width 1.5mm.
 Error Operation 10 to 55 Hz dual
 amplitude width 1.5mm.
- Shock :
 Endurance 1,000 m/S² Min.
 Error Operation 100 m/S² Min.
- Life Expectancy :
 Mechanical 10⁷ Operations at No
 Load condition.
 Electrical 10⁵ Operations at
 Rated Resistive Load.
- Weight.....About 5.0 g.

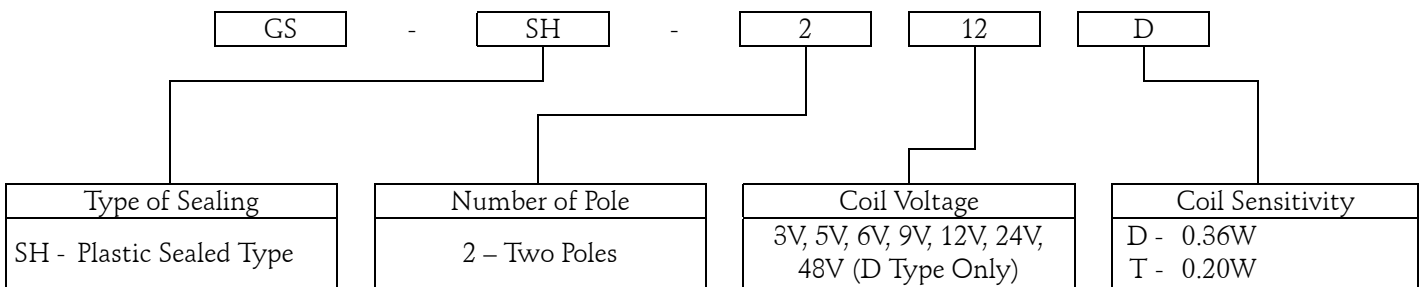
Safety Standard & Its File Number:

- C-UL..... E141060

Coil Specification (at 20°C)

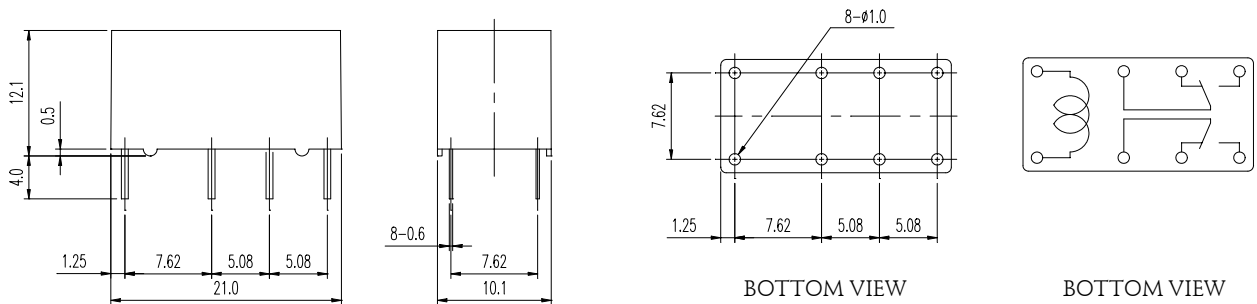
Coil Sensitivity	Nominal Voltage (VDC)	Nominal Current (mA)	Coil Resistance ($\Omega \pm 10\%$)	Power Consumption (W)	Pull-In Voltage (VDC)	Drop-Out Voltage (VDC)	Maximum Allowable Voltage (VDC)
GS - D	3	120	25	Abt. 0.36	75% Maximum	10% Minimum	150%
	5	71.4	70				
	6	60	100				
	9	40	225				
	12	30	400				
	24	15	1,600				
GS - T	3	66.7	45	Abt. 0.20	75% Maximum	10% Minimum	150%
	5	40	125				
	6	33.3	180				
	9	22.2	405				
	12	16.7	720				
	24	8.3	2,880				

Ordering Information:



Dimension:

GS-SH



Reference Data:

