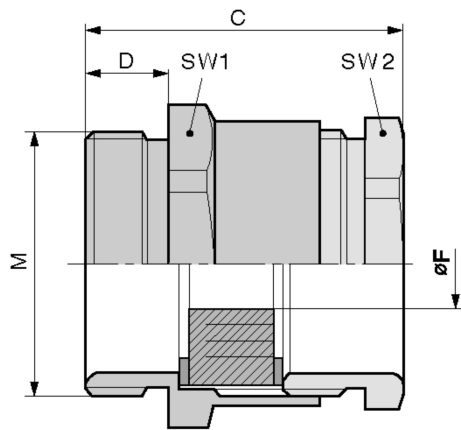
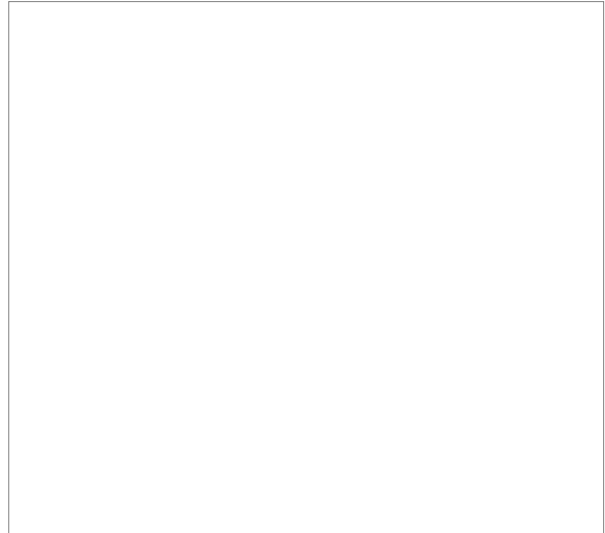
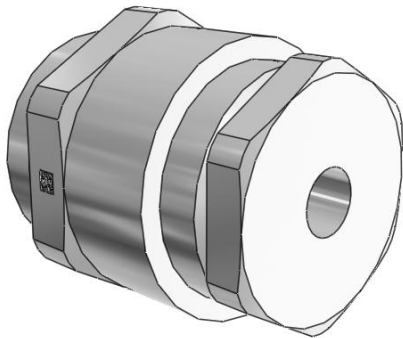


Product Description





**Technical Data**

ATN	52104980
M	M 16x1,5
FMIN	4
FMAX	11
F	4
SW1	18
A1	20
SW2	15
A2	16.6
C	21.6
D	5
MATERIAL	Messing vernickelt