



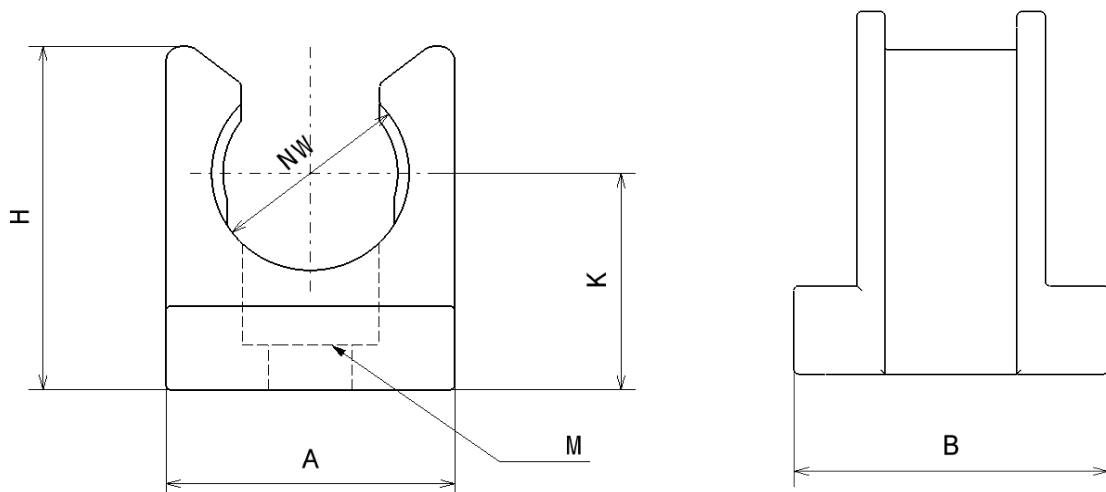
DATA SHEET	61806690
SILVYN® SPLIT COS	valid from : 12.07.2012

SILVYN® SPLIT COS Holder for SILVYN® SPLIT. Polyamide conduit holder. The one-hole attachment will be obtained by an integrated fin, fixing the conduit in axial direction.
 Processing: Quick assembly of holder by one-hole fixing. Conduit is locking by just pressing in the holder.

Material: Polyamide (PA6).
 Temperature range: -40°C up to +120°C (short time +140°)
 Flammability: self extinguishing
 Resistance against: fuels, minerals, lubricants, alkalis and most commercial solvents
 Conditionally resistant to: bases, also in diluted form
 Not resistant to: acids, halogens, oxidative, compounds

Technical properties

tear elongation	50 – 200 %
E-module	1200 – 3200 MPa
Melting point	+220 to +230°C



Artikel Nr.	SILVYN® Split COS	Ø NW	A	B	H	K
			mm	mm	mm	mm
6180 6690	COS 10	10	19,0	20,0	23,0	14,0
6180 6700	COS 14	14	24,0	20,0	27,0	15,0
6180 6710	COS 20	20	35,0	20,0	40,0	24,0
6180 6720	COS 23	23	43,0	20,0	45,0	26,5
6180 6730	COS 37	37	52,0	20,0	52,0	30,0
6180 6740	COS 45	45	66,0	20,0	66,0	38,0

Please do not hesitate to contact our laboratory if there are any questions regarding resistance against aggressive agents and special oil.

elaborated by: TE-VZ: M. Steinberg	Document: DB61806690_1EN	page 1 of 1
---------------------------------------	--------------------------	-------------