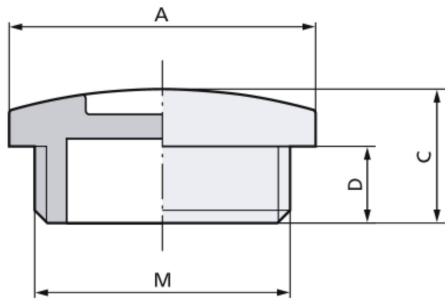
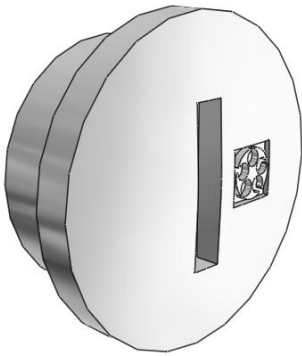


Product Description





Technical Data

ATN	52103100
M	M 12x1,5
A	15
C	7.5
D	5
MATERIAL	Messing vernickelt