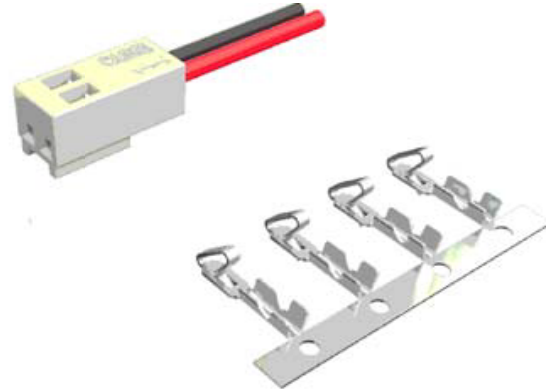


2510 Type Female Housing & Contact

2.54mm Pitch

Specifications

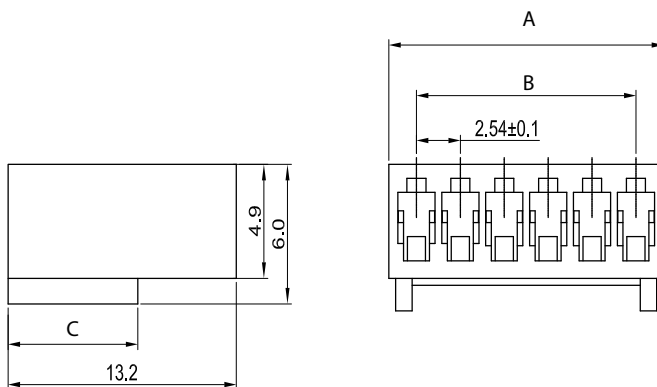
Pitch:	2.54mm
Type:	Female Housing/Contact
Poles:	2 to 12
Rated Voltage:	250V
Rated Current:	3A
Operational Temperature:	-25°C to +85°C
Withstand Voltage:	1000V AC for 60s
Insulation Resistance:	1000MΩ
Wire Range:	AWG#28~#22
Contact Resistance:	30MΩ
Contact Material:	Copper Alloy
Contact Plating:	Tin Plating Over Nickel
Housing Material:	Nylon



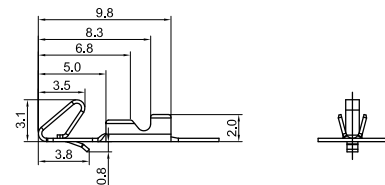
Order Code		Poles	$A = N * 2.54 + 0.66$	$B = (N - 1) * 2.54 \pm 0.25$
65-6684	Contact	-	-	-
65-6685	Housing	2	5.08	2.54
65-6686	Housing	3	7.62	5.08
65-6687	Housing	4	10.16	7.62
65-6688	Housing	5	12.07	10.16
65-6689	Housing	6	15.24	12.07
65-6690	Housing	8	20.32	15.24
65-6691	Housing	10	25.04	20.32
65-6792	Housing	12	30.48	25.04

Note: N = No. of contact

Female Housing



Female Contact



Female Contact

Wire Range	
Section Area (mm ²)	AWG#
0.09-0.34	28-22

For further information on pricing, delivery, and long-term stock agreements please get in touch with your local business development contact. Telephone our main office on **01206 751166** or email **Sales@Rapidoonline.com**.

The information contained in this datasheet is subject to change without notice and replaces all data sheets previously supplied.

