

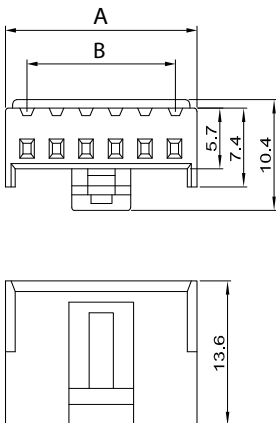
Specifications

Pitch:	3.96mm
Type:	Female Housing
Poles:	2 to 12
Rated Voltage:	250V
Rated Current:	7A
Operational Temperature:	-25°C to +85°C
Withstand Voltage:	1000V AC for 60s
Insulation Resistance:	1000MΩ
Wire Range:	AWG#22~#18
Contact Resistance:	30MΩ
Contact Plating:	Tin
Housing Material:	Nylon 66
Contact Material:	Copper Alloy



Order Code	Poles	$A = N * 3.96 + 0.4 \pm 0.3$	$B = (N-1) * 3.96$
65-6734	-	-	-
65-6735	2	8.32	3.96
65-6736	3	12.28	7.92
65-6737	4	16.24	11.88
65-6738	5	20.2	15.84
65-6739	6	24.16	19.08
65-6740	8	32.08	27.72
65-6741	10	40.00	35.64
65-6742	12	47.92	43.56

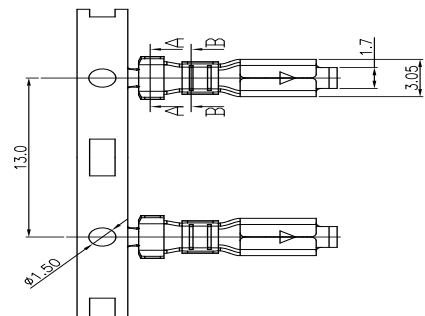
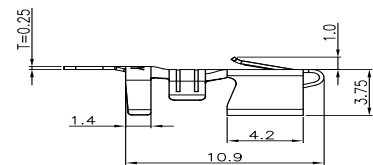
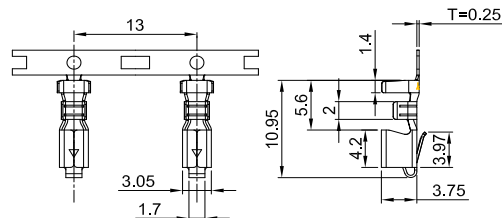
Female Housing



Female Terminal

Wire Range		O.D of Wire
Section area mm ²	AWG#	mm
0.33~0.83	22~18	1.7~3.0

Female Terminal



For further information on pricing, delivery, and long-term stock agreements please get in touch with your local business development contact. Telephone our main office on **01206 751166** or email **Sales@Rapidoonline.com**.

The information contained in this datasheet is subject to change without notice and replaces all data sheets previously supplied.

