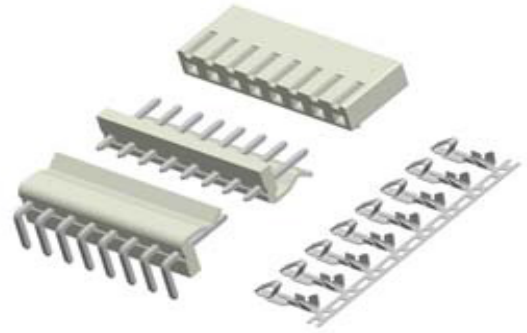


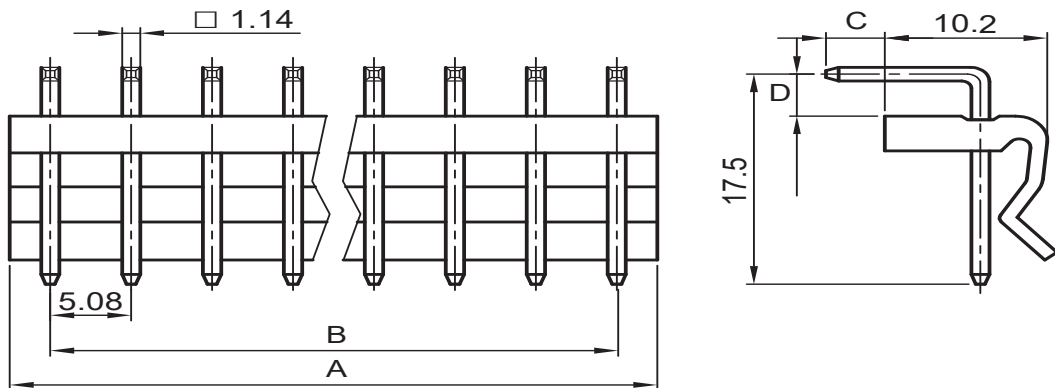
## Specifications

|                                 |                  |
|---------------------------------|------------------|
| Pitch:                          | 5.08mm           |
| Type:                           | Male Right Angle |
| Poles:                          | 2 to 12          |
| Rated Voltage:                  | 250V             |
| Rated Current:                  | 7A               |
| Operational Temperature:        | -25°C to +85°C   |
| Withstand Voltage:              | 1500V AC for 60s |
| Insulation Resistance:          | 1000MΩ           |
| Contact Resistance:             | 30MΩ             |
| Recommended PC Board Thickness: | 1.6mm            |
| Housing Material:               | Nylon 66         |

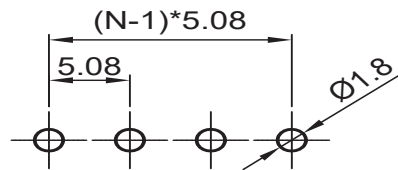


| Order Code | Poles | A = N*5.08 | B = (N-1)*5.08 | C   | D   |
|------------|-------|------------|----------------|-----|-----|
| 65-6776    | 2     | 10.16      | 5.08           | 3.7 | 3.5 |
| 65-6777    | 3     | 15.24      | 10.16          | 3.7 | 3.5 |
| 65-6778    | 4     | 20.32      | 15.24          | 3.7 | 3.5 |
| 65-6779    | 5     | 25.04      | 20.32          | 3.7 | 3.5 |
| 65-6780    | 6     | 30.48      | 25.04          | 3.7 | 3.5 |
| 65-6781    | 8     | 35.56      | 30.48          | 3.7 | 3.5 |
| 65-6782    | 10    | 40.64      | 35.56          | 3.7 | 3.5 |
| 65-6783    | 12    | 45.72      | 40.64          | 3.7 | 3.5 |

### Male Right Angle



N=No. of contacts



Recommended PCB Layout

For further information on pricing, delivery, and long-term stock agreements please get in touch with your local business development contact. Telephone our main office on **01206 751166** or email **Sales@Rapidoonline.com**.

The information contained in this datasheet is subject to change without notice and replaces all data sheets previously supplied.

