

Rectangular Neon indicator Light, Snap-in Panel Mount



DESCRIPTION

These 'snap-in' panel-mounting neon indicator lights are high-quality components designed for a variety of electrical applications. Featuring a 15 x 21mm rectangular case and flush-fitting lens, with 4.8 x 0.8mm tab terminals. They are easy to install and provide clear, visible indication, enhancing the functionality and safety of your electrical devices. Ideal for both professional and DIY use, these components offer reliable and efficient performance. Compact and reliable, they can be panel-mounted or integrated into control equipment for quick status identification.

DISTINCTIVE FEATURES

- Colour: green, red, amber
- Rectangular case
- Flush-fitting lens
- Flat profile
- Snap-in
- Panel mounting
- 4.8 x 0.8 mm tab terminals
- Voltage Rating: 240V AC

APPLICATIONS

These neon indicators are suitable for a wide range of applications including industrial equipment and control panels, machinery interfaces, industrial automation systems, and transportation equipment to indicate operational states, warnings, or faults. They help operators monitor system performance, enhance safety, and quickly identify the need for action or maintenance.

200 V

250 V

UL

CSA

Flat
profile

Flush-
fitting

Neon



ELECTRICAL SPECIFICATION

Rating	200 - 250V AC
Temperature	125/65 °C



GENERAL SPECIFICATION

Type	Neon indicator light
Cut out	19x13 mm
Mounting	Panel-mounted or integrated



ENVIRONMENTAL/OPERATING SPECIFICATION

Operating Temperature	125 °C
Glow wire test	850 °C
GWT no flame (<2sec)	650 °C



CERTIFICATION AND STANDARDS

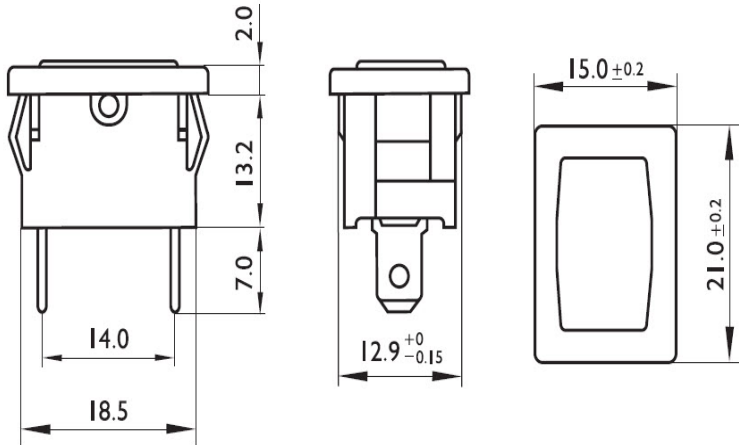
UL	CSA
VDE	CE
RoHS	



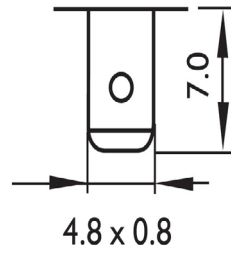
DIMENSIONS/DRAWINGS

Units	mm - unless stated otherwise
-------	------------------------------

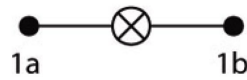
Dimensions



Terminal

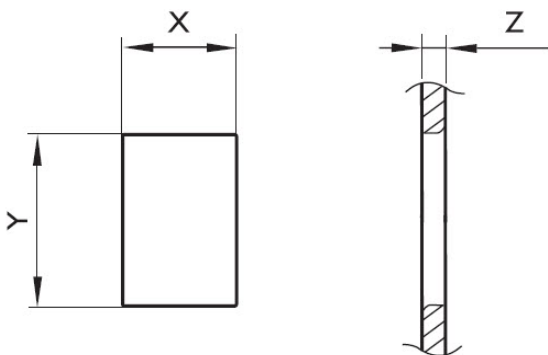


Wiring diagram



Cut out

Height Y (mm)	Width X (mm)	Panel thickness Z (mm)
19.0 ± 0.1	13.0 ± 0.1	0.70 to 1.25
19.3 ± 0.2	13.0 ± 0.1	1.25 to 2.00
19.6 ± 0.2	13.0 ± 0.1	2.00 to 3.00





PART NUMBER TABLE

Part Number	Colour	Feature	UNSCPSC	EAN
42-0011	Illuminated green	Illuminate, quick connection, snap and fit	39101628	5053556015429
42-0012	Illuminated red	Illuminate, quick connection, snap and fit	39101628	5053556015436
42-0013	Illuminated yellow	Illuminate, quick connection, snap and fit	39101628	5053556015443



OPTIONS (MOQ MAY APPLY)

Body colour	Black, Custom
Lens colour	Red, Green, Amber

For further information on pricing, delivery, and long-term stock agreements please get in touch with your local business development contact, telephone our main office on **01206 838000** or email **Sales@Rapidonline.com**.



Tried & trusted technology