

## Rectangular Neon indicator Light, Snap-in Panel Mount



### DESCRIPTION

These 'snap-in' panel-mounting neon indicator lights are high-quality components designed for a variety of electrical applications. Featuring a 14 x 31.5mm rectangular case and 3.5mm high lens, with 6.3 x 0.8mm tab terminals. Easy to install and provide clear, visible indication, enhancing the functionality and safety of your electrical devices. Ideal for both professional and DIY use, these components offer reliable and efficient performance.

### DISTINCTIVE FEATURES

- Rectangular case
- Neon indicator light
- 3.5mm high lens
- 6.3x0.8mm tab terminals
- Voltage Rating: 240V AC

### APPLICATIONS

These neon indicators are suitable for a wide range of applications including industrial equipment and control panels, machinery interfaces, industrial automation systems including HVAC, hygiene equipment, and transportation equipment to indicate operational states, warnings, or faults.

240V

VDE

CSA

CSA

Neon



## ELECTRICAL SPECIFICATION

Rating per certification	
EN 60335-1	UL 496
200 - 250 VAC	200 - 250 VAC
Temperature	
125 °C	65 °C



## GENERAL SPECIFICATION

Type	Neon indicator light
Cut out	30×11 mm



## ENVIRONMENTAL/OPERATING SPECIFICATION

Ambient temperature	120 °C
Glow wire test	850 °C
GWT no flame (<2sec)	650 °C on demand



## CERTIFICATION AND STANDARDS

VDE
CSA
CE
RoHS

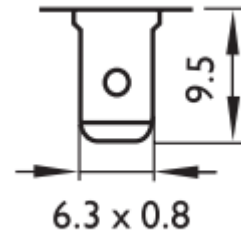
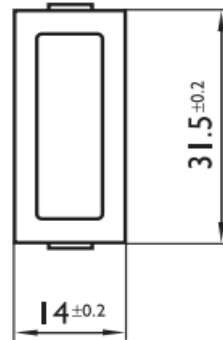
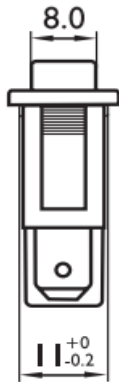
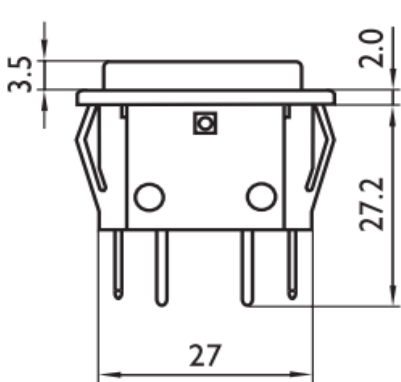


## DIMENSIONS/DRAWINGS

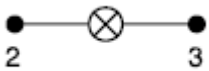
Units	mm - unless stated otherwise
-------	------------------------------

Dimensions

Terminal



Wiring diagram

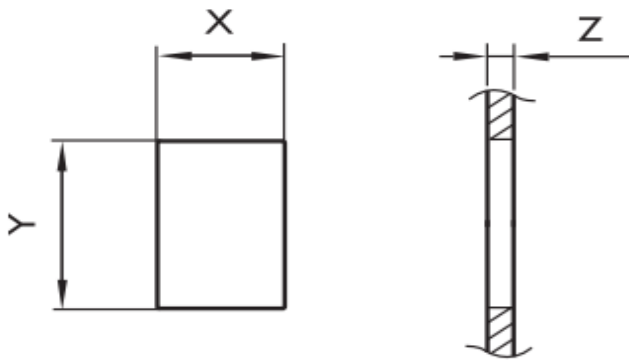




## DIMENSIONS/DRAWINGS

Cut out

Height Y (mm)	Width X (mm)	Panel thickness Z (mm)
30,0-0,1	11,0+0,20	0,7-1,25
30,0-0,1	11,0+0,20	1,25-2,0
30,0-0,2	11,0+0,20	2,0-3,0
30,0-0,2	11,0+0,20	3,0-4,0





## PART NUMBER TABLE

Part Number	Colour	Feature	UNSCPSC	EAN
42-0014	Illuminated green	Quick connection, snap and fit	39101628	5053556015450
42-0015	Illuminated red	Quick connection, snap and fit	39101628	5053556015467
42-0016	Illuminated amber	Quick connection, snap and fit	39101628	5053556015474



## OPTIONS (MOQ MAY APPLY)

Body colour	Black, Custom
Lens Colour	Red, Green, Amber

For further information on pricing, delivery, and long-term stock agreements please get in touch with your local business development contact, telephone our main office on **01206 838000** or email **Sales@Rapidonline.com**.



Tried & trusted technology