

Rectangular Neon indicator Light, Snap-in Panel Mount



DESCRIPTION

These 'snap-in' panel-mounting neon indicator lights are high-quality components designed for a variety of electrical applications. Featuring a 25 x 31.5mm rectangular case and 3.5mm high lens, with 6.3 x 0.8mm tab terminals. They are easy to install and provide a clear, visible indication, enhancing the functionality and safety of your electrical devices. Ideal for both professional and DIY use, these components offer reliable and efficient performance.

DISTINCTIVE FEATURES

- Indicator light
- Rectangular case
- 3.5mm high lens
- 6.3x0.8mm tab terminals
- Voltage Rating: 220V AC

APPLICATIONS

These neon indicators are suitable for a wide range of applications including industrial equipment and control panels, machinery interfaces, industrial automation systems including HVAC, hygiene equipment, and transportation equipment to indicate operational states, warnings, or faults.

220V

VDE

CSA

CE

Neon



ELECTRICAL SPECIFICATION

Rating per certification	
EN 60335-1	UL 496
200 - 250 VAC	200 - 250 VAC
Temperature	
125 °C	65 °C



GENERAL SPECIFICATION

Type	Neon indicator light
Cut out	30x22mm nominal



ENVIRONMENTAL/OPERATING SPECIFICATION

Ambient temperature	120 °C
Glow wire test	850 °C
GWT no flame (<2sec)	650 °C on demand



CERTIFICATION AND STANDARDS

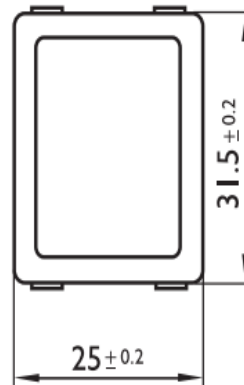
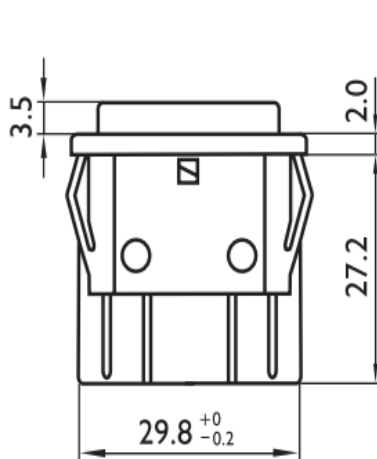
VDE
CSA
CE
RoHS



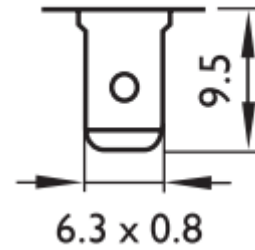
DIMENSIONS/DRAWINGS

Units	mm - unless stated otherwise
-------	------------------------------

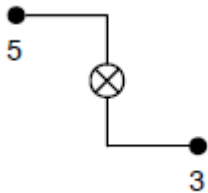
Dimensions



Terminal



Wiring diagram

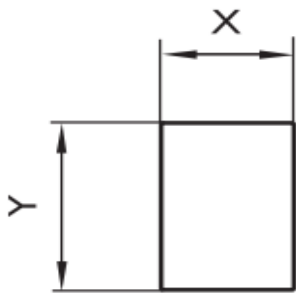




DIMENSIONS/DRAWINGS

Cut out

Height Y (mm)	Width X (mm)	Panel thickness Z (mm)
30,0-0,1	22,0+0,30	0,7-1,25
30,2-0,1	22,0+0,30	1,25-2,0
30,6-0,3	22,0+0,30	2,0-3,0
30,8-0,3	22,0+0,30	3.0-4.0





PART NUMBER TABLE

Part Number	Colour	Feature	UNSCPSC	EAN
420017	Illuminated green	Quick connection, snap and fit	39101628	5053556015481
420018	Illuminated red	Quick connection, snap and fit	39101628	5053556015498
420019	Illuminated neon amber	Quick connection, snap and fit	39101628	5053556015511



OPTIONS (MOQ MAY APPLY)

Body colour	Black, Custom
Lens colour	Red, Green, Amber

For further information on pricing, delivery, and long-term stock agreements please get in touch with your local business development contact, telephone our main office on **01206 838000** or email **Sales@Rapidonline.com**.



Tried & trusted technology