

Round Neon indicator Light, Panel Mount, Low Profile



DESCRIPTION

These round, neon indicator lights are versatile and reliable components designed for a wide range of household and industrial applications. They are designed to operate efficiently across a temperature range of 75°C to 120°C. These indicator lights feature a 13.5mm diameter and 0.8-2mm convex profile lens, with 6.3 x 0.8mm tab terminals. They ensure clear visibility and dependable performance, making them an ideal choice for enhancing the functionality and safety of various electrical devices.

DISTINCTIVE FEATURES

- Round neon indicator light
- 10mm cut out
- 13.5mm diameter
- 6.3x0.8 tab terminals
- Indicator light
- Voltage Rating: 240V AC
- Panel mouting
- 0.8-2mm thick lens

APPLICATIONS

These neon indicators are suitable for a wide range of applications including industrial equipment and control panels. These indicator lights ensure clear visibility and dependable performance, making them an ideal choice for enhancing the functionality and safety of various electrical devices, where a low profile indicator is required.

240V

VDE

Neon

Panel
Mount

13.5mm



GENERAL SPECIFICATION

Type	Neon indicator light
Cut out	10 mm
Connections	6.3x0.8mm tab



ENVIRONMENTAL/OPERATING SPECIFICATION

Operating Temperature	up to 120°C
-----------------------	-------------



CERTIFICATION AND STANDARDS

CE
UR
VDE
RoHS

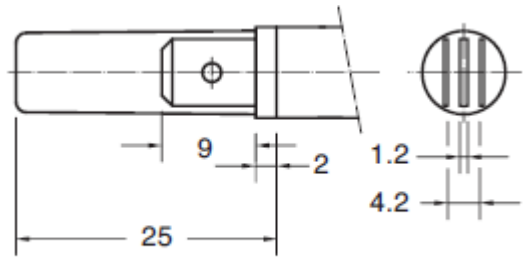
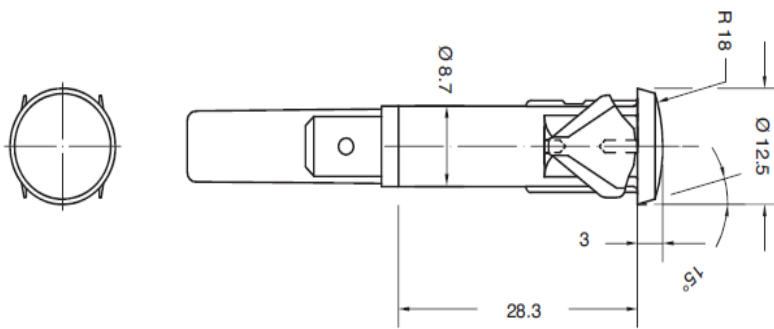


DIMENSIONS/DRAWINGS

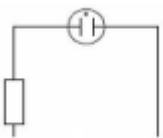
Units	mm - unless stated otherwise
-------	------------------------------

Dimensions

Terminal



Wiring diagram





PART NUMBER TABLE

Part Number	Colour	Feature	UNSCPSC	EAN
42-0020	Neon green	Quick connection, snap and fit	39101628	5053556015481
42-0021	Neon red	Quick connection, snap and fit	39101628	5053556015498
42-0022	Neon amber	Quick connection, snap and fit	39101628	5053556015511



OPTIONS (MOQ MAY APPLY)

Illumination	White, green, red, amber, custom
Function	Non-illuminated, incandescent, LED
Voltage	2V, 12V, 24V, 110V, 230V, 250V, 400V
Temperature	up to 90 °C (PVC wire) up to 200 °C (Silicone wire)
Wired	Pre-stripped, Stripped, Un-stripped

For further information on pricing, delivery, and long-term stock agreements please get in touch with your local business development contact, telephone our main office on **01206 838000** or email **Sales@Rapidonline.com**.



Tried & trusted technology

Important Notice: This data sheet and its contents (the "Information") belong to Rapid Electronics Limited or are licensed to it. No licence is granted for the use of it other than for information purposes in connection with the products to which it relates. No licence of any intellectual property rights is granted. The Information is subject to change without notice and replaces all data sheets previously supplied. The Information supplied is believed to be accurate but Rapid Electronics Limited assumes no responsibility for its accuracy or completeness, any error in or omission from it or for any use made of it. Users of this data sheet should check for themselves the Information and the suitability of the products for their purpose and not make any assumptions based on information included or omitted. Liability for loss or damage resulting from any reliance on the Information or use of it (including liability resulting from negligence or where Rapid Electronics Limited were aware of the possibility of such loss or damage arising) is excluded. This will not operate to limit or restrict Rapid Electronics Limited's liability for death or personal injury resulting from its negligence.