

## Rocker Switch, Snap-in Panel Mount, 10A



### DESCRIPTION

A range of snap-in, panel mounting rocker switches. These compact, single pole 'snap-in' panel-mounting rocker switches are versatile and reliable components designed for safety and durability.

### DISTINCTIVE FEATURES

- Colour: Black or white
- Optional 0/1 printed legend
- Contact configuration: SPST or SPDT
- Action: On-Off or On-off-on
- Current Rating: 10A
- Voltage Rating: 250V and 125V AC
- Optional transparent protection cap, IP65 rated, for added environmental resistance.

### APPLICATIONS

These rocker switches can be used to switch appliances on or off, such as coffee machines, refrigerators, ironing steam generators, medical appliances, vacuum cleaners, or power inlets.

10A

250V

SPST

SPDT

UL

CSA



## ELECTRICAL SPECIFICATION

Rating per certification	
EN 61058-1	UL 61058-1
Wiring diagram 1 10 (4) A / 250 VAC 6 (6) A / 250 VAC 6 (4) A / 250 VAC - 5E4	Wiring diagram 1 10 A / 125 VAC 1/3 HP - 125 VAC 10 A / 250 VAC 1/2 HP - 250 VAC
Wiring diagram 3 10 (2) A / 250 VAC 6 (1) A / 250 VAC - 5E4	Wiring diagram 3 6 A / 125 VAC 1/8 HP - 125 VAC 6 A / 250 VAC 1/6 HP - 250 VAC
Temperature	
125 °C	105 °C



## GENERAL SPECIFICATION

Type	Rocker switch
Contact	SPST/SPDT
Cycle No.	50,000
Cut out	19x13 mm



## ENVIRONMENTAL/OPERATING SPECIFICATION

Operating Temperature	125 °C
Glow wire test	850 °C
GWT no flame (<2sec)	750 °C on demand



## CERTIFICATION AND STANDARDS

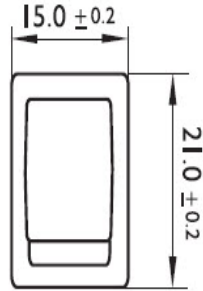
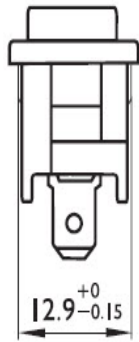
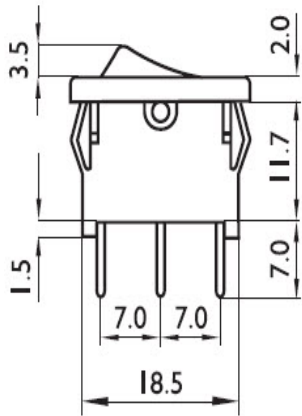
ENEC	CE
UL	CB
CSA	RoHS



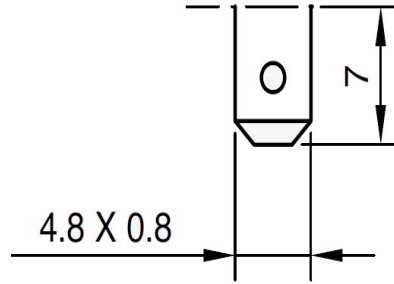
## DIMENSIONS/DRAWINGS

Dimensions	mm
------------	----

### Dimensions



### Terminal

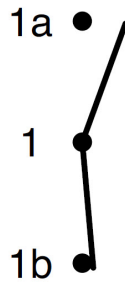


### Function

1

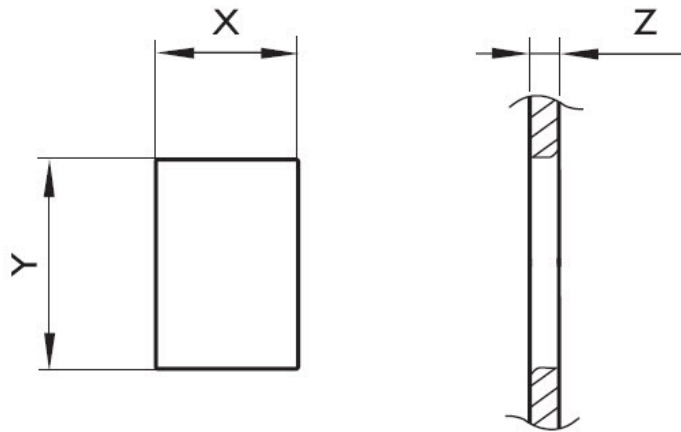


3



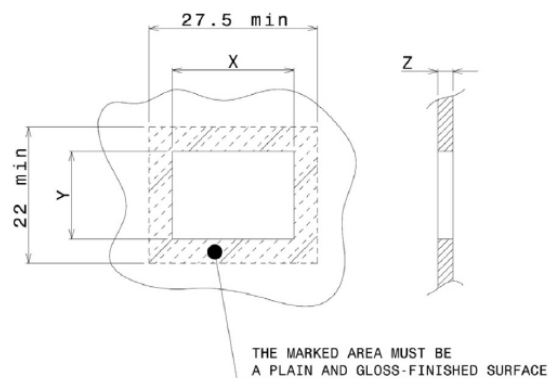
## Cut out

Height Y (mm)	Width X (mm)	Panel thickness Z (mm)
$19.0 \pm 0.1$	$13.0 \pm 0.1$	0.70 to 1.25
$19.3 \pm 0.2$	$13.0 \pm 0.1$	1.25 to 2.00
$19.6 \pm 0.2$	$13.0 \pm 0.1$	2.00 to 3.00



## Protection cap

Height Y (mm)	Width X (mm)	Panel thickness Z (mm)
$13.0 \pm 0.1$	$19.3 +0.2/-0.0$	0.70 to 1.25
$22.0 +0.2/-0.0$	$19.3 +0.2/-0.0$	1.25 to 2.00





## PART NUMBER TABLE

Part Number	Colour	Feature	Wiring diagram	UNSCPSC	EAN
52-3166	Solid black, no marking	On-off, quick connection, snap-in fit	1	39122226	5053556015009
52-3168	Solid black, 0/1 marking	On-off, quick connection, snap-in fit	1	39122226	5053556015016
52-3170	Solid white, no marking	On-off, quick connection, snap-in fit	1	39122226	5053556015023
52-3173	Solid black, no marking	Intermediate, quick connection, snap-in fit	3	39122226	5053556015030
52-3179	Transparent	Protective cap, protection IP65	N/A	39122226	5053556015047



## OPTIONS (MOQ MAY APPLY)

Body colour	Red, custom
Rocker colour	Red, custom
Markings	I II, ON OFF, light indicator, lightning bolt, wave, fan, dot, two dots, O —, — =, end indicator, custom
Marking colour	Black, grey, light blue, red, orange, custom
Function	Various
Rating	Various (by function)

For further information on pricing, delivery, and long-term stock agreements please get in touch with your local business development contact, telephone our main office on **01206 838000** or email **Sales@Rapidonline.com**.



Tried & trusted technology

Important Notice: This data sheet and its contents (the "Information") belong to Rapid Electronics Limited or are licensed to it. No licence is granted for the use of it other than for information purposes in connection with the products to which it relates. No licence of any intellectual property rights is granted. The Information is subject to change without notice and replaces all data sheets previously supplied. The Information supplied is believed to be accurate but Rapid Electronics Limited assumes no responsibility for its accuracy or completeness, any error in or omission from it or for any use made of it. Users of this data sheet should check for themselves the Information and the suitability of the products for their purpose and not make any assumptions based on information included or omitted. Liability for loss or damage resulting from any reliance on the Information or use of it (including liability resulting from negligence or where Rapid Electronics Limited were aware of the possibility of such loss or damage arising) is excluded. This will not operate to limit or restrict Rapid Electronics Limited's liability for death or personal injury resulting from its negligence.