

Rocker Switch, Snap-in Panel Mount, Illuminated



DESCRIPTION

This robust 'snap-in' panel-mounting illuminated rocker switch has a double-pole, single-throw (DPST) configuration, ensuring reliable on-off functionality. Built to handle demanding electrical loads. The switch is designed for easy installation, and its durable construction ensures reliable performance. Suitable for a wide range of applications.

DISTINCTIVE FEATURES

- Colour: Red illuminated
- 0/1 printed legend
- Body Colour: Black
- Contact configuration: DPST
- Action: On-Off
- Current Rating: 20A
- Voltage Rating: 250V AC
- Protection Rating: IP40
- 6.3 Quick connection

APPLICATIONS

The rocker switch can be used to switch appliances on or off, such as coffee machines, refrigerators, ironing steam generators, medical appliances, vacuum cleaners, or power inlets.

20A

250V

DPST

Snap fit

UL

CE



ELECTRICAL SPECIFICATION

Rating per certification	
EN 61058	UL 1054
20 (2) A / 250 VAC 16 (8) A / 250 VAC 10 (6) A / 250 VAC - 5E4	20 A / 125 VAC 16 A / 250 VAC 3/4 HP - 125 / 250 VAC
Temperature	
125/55 °C	105 °C



GENERAL SPECIFICATION

Type	Rocker switch
Contact	DPST and DPDT
Protection degree	IP 40
Life cycle	50,000
Cut out	30x25 mm
Termination	6.3x0.8 tab, quick connect



ENVIRONMENTAL/OPERATING SPECIFICATION

Operating Temperature	125 °C
Glow wire test	850 °C
GWT no flame (<2sec)	750 °C on demand



CERTIFICATION AND STANDARDS

ENEC	CE
UR	KTL
RoHS	IECEE

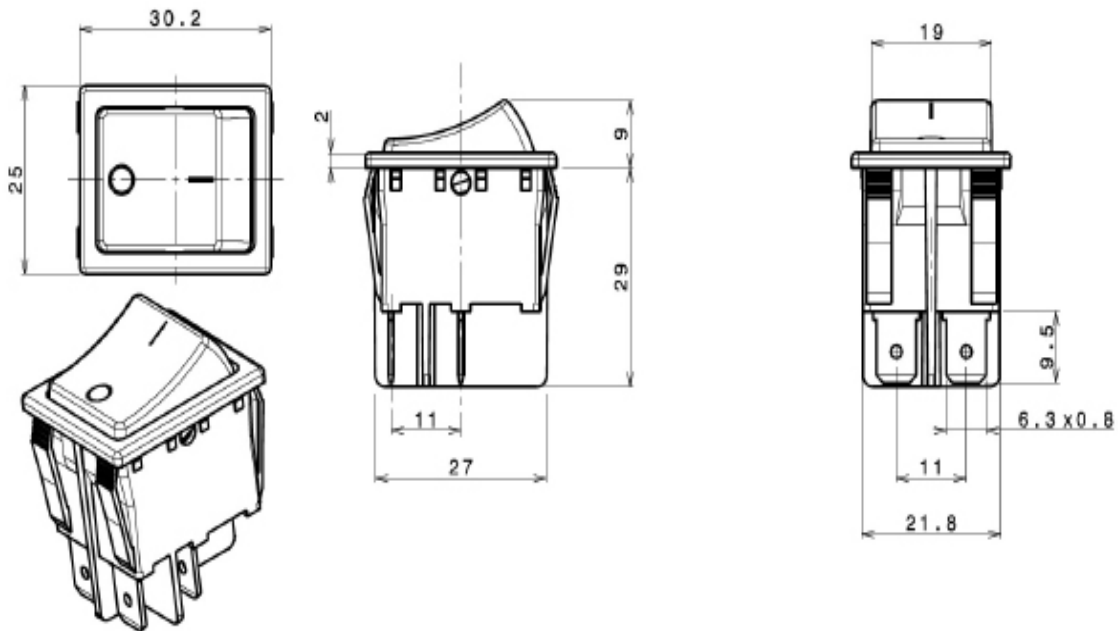


DIMENSIONS/DRAWINGS

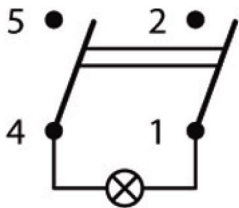
Units

mm - unless stated otherwise

Dimensions

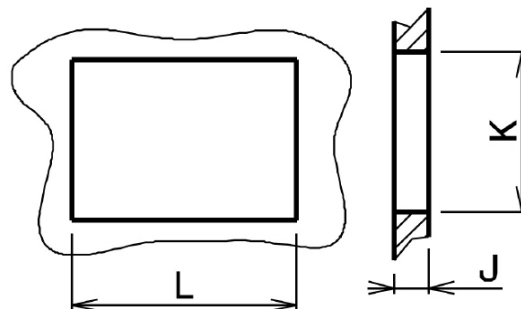


Wiring diagram



Cut out

Length L (mm)	Panel height K (mm)	Panel thickness J (mm)
28.2 +0.1/-0	22.3 +0.1/-0	0.70 to 3.50





PART NUMBER TABLE

Part Number	Colour	Feature	UNSCPSC	EAN
52-3557	Illuminated red, 0/1 marking	On-off, quick connection, snap and fit	39122226	5053556015245



OPTIONS (MOQ MAY APPLY)

Body colour	White, custom
Rocker colour	Black, white
Illuminated colour	Orange, green, white, blue, custom
Markings	None, I II, end indicator, fan, lamp, O -, custom
Marking colour	Black, none, custom
Function	Various
Rating	Various (by function)

For further information on pricing, delivery, and long-term stock agreements please get in touch with your local business development contact, telephone our main office on **01206 838000** or email **Sales@Rapidonline.com**.



Tried & trusted technology