

## Rocker Switch, Snap-in Panel Mount, IP65



### DESCRIPTION

These robust 'snap-in' panel-mounting rocker switches have a double-pole single-throw (DPST) or double-pole double-throw (DPDT) with centre-off configuration, ensuring reliable on-off-on functionality. Featuring no legend, or 0/I or I/0/II legend. Built to handle demanding electrical loads. The switches are designed for easy installation, featuring a black rubber bellows rocker design for IP65 rated protection. Their durable construction and heat and fire resistance ensures safety and durability in demanding environments.

### DISTINCTIVE FEATURES

- Colour: Black, red illuminated, light green illuminated, green illuminated
- Optional 0/I or I/0/II printed legend
- Centre-off configuration
- Rubber bellows rocker
- Contact configuration: DPST or DPDT
- Action: On-Off or intermediate
- Current Rating: 16A/20A
- Voltage Rating: 250V/24V AC
- Protection Rating: IP65

### APPLICATIONS

These rocker switches are suitable for a wide range of applications. They are ideal for use in applications that require moisture ingress protection. Suitable for use as industrial switches and to switch appliances on or off, such as coffee machines, refrigerators, ironing steam generators, medical appliances, vacuum cleaners, or power inlets.

16A

20A

250V

DPST

DPDT

UL

CSA

IP65



## ELECTRICAL SPECIFICATION

Rating per certification	
EN 61058	UL 1054
Wiring diagram 2 and 8 N: 16 (8) A / 250 VAC 12 (10) A / 250 VAC - 5E4 X: 24 V up to 20 A	Wiring diagram 2 and 8 N: 20 A / 125 VAC 16 A / 250 VAC 3/4 HP - 125 / 250 VAC
Wiring diagram 9 16 (6) A / 250 VAC 10 (4) A / 250 VAC - 5E4	Wiring diagram 9 20 A / 125 VAC 16 A / 250 VAC 1/3 HP - 125 VAC 3/4 HP - 250 VAC
Temperature	
120/55 °C	105 °C



## GENERAL SPECIFICATION

Type	Rocker switch
Contact	DPST and DPDT
Protection degree	IP 65
Cycle No.	50,000
Cut out	30x22 mm



## ENVIRONMENTAL/OPERATING SPECIFICATION

Operating Temperature	120 °C
Glow wire test	850 °C
GWT no flame (<2sec)	750 °C on demand



## CERTIFICATION AND STANDARDS

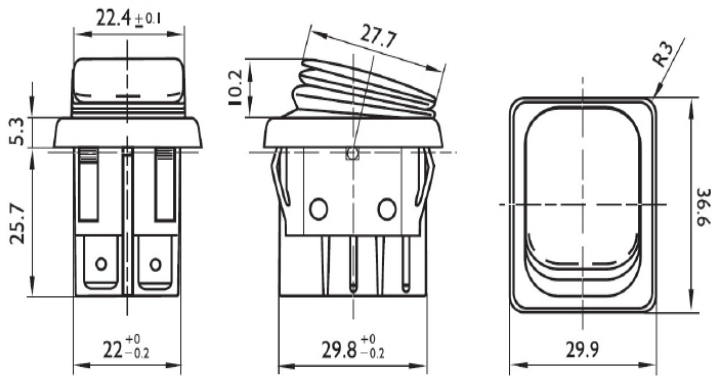
ENEC	CSA
UL	CE
RoHS	



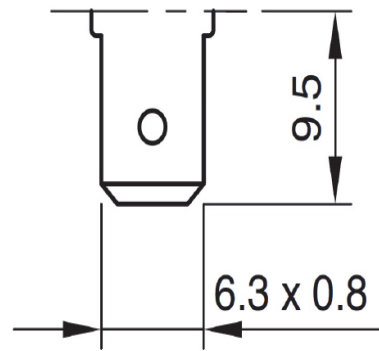
## DIMENSIONS/DRAWINGS

Units	mm - unless stated otherwise
-------	------------------------------

### Dimensions

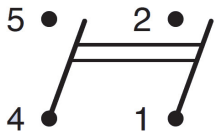


### Terminal

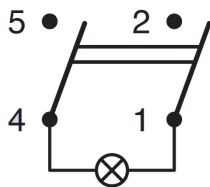


### Wiring diagram

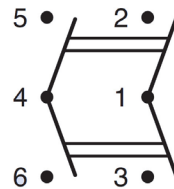
2



8

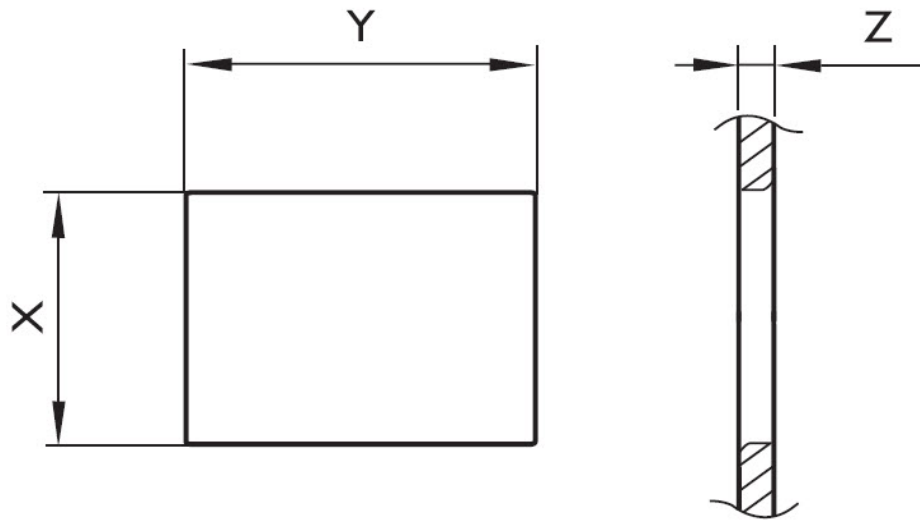


9



Cut out

Height (Y)	Width (X)	Panel thickness (Z)
30.2 +0.1/-0	22.0 +0.2/-0.0	0.70 to 1.25
30.6 +0.1/-0	22.0 +0.2/-0.0	1.25 to 2.00
30.8 +0.1/-0	22.0 +0.2/-0.0	2.00 to 3.00





## PART NUMBER TABLE

Part Number	Colour/Legend	Feature	Wiring diagram	Rating	UNSCPSC	EAN
52-3558	Solid black, I/O/II marking	Intermediate, quick connection, snap and fit	9	-	39122226	5053556015252
52-3586	Illuminated red, no marking	On-off, quick connection, snap and fit	8	N	39122226	5053556015269
52-3593	Illuminated light green, no marking	On-off, quick connection, snap and fit	8	N	39122226	5053556015276
52-3603	Illuminated red, 0/1 marking	On-off, quick connection, snap and fit	8	X	39122226	5053556015283
52-3629	Illuminated light green, 0/1 marking	On-off, quick connection, snap and fit	8	X	39122226	5053556015290
52-3630	Solid black, 0/1 marking	On-off, quick connection, snap and fit	2	-	39122226	5053556015306



## OPTIONS (MOQ MAY APPLY)

Rocker colour	White, orange
Illuminated colour	White, blue, orange, custom
Markings	I O II, – O –(thick), custom
Marking colour	Custom
Function	1
Rating	Various

For further information on pricing, delivery, and long-term stock agreements please get in touch with your local business development contact, telephone our main office on **01206 838000** or email **Sales@Rapidonline.com**.

