

Rectangular Pushbutton Switch, Snap-in Panel Mount



DESCRIPTION

These rectangular 'snap-in' panel-mounting pushbutton switches are illuminated and have a single-pole, single-throw (SPST) configuration, with a reliable latching, on-off action. Rated at 250V AC and 16A. The switches are designed for easy installation, with a durable construction that ensures reliable operation. Suitable for a wide range of applications.

DISTINCTIVE FEATURES

- SPST, latching
- Illuminated pushbutton
- Current Rating: 16A
- Voltage Rating: 250V AC

APPLICATIONS

These switches are suitable for a wide range of applications including industrial equipment and control panels, and domestic appliances. They are ideal for controlling and managing electrical circuits, where indication of switch operation is required.

16A

250V

SPST

UR

Snap fit



ELECTRICAL SPECIFICATION

Rating per certification	
EN 61058	UL 1054
16 (4) / 250 VAC	16 A - 125 / 250 VAC
10 (6) A / 250 VAC - 5E4	3/4 HP - 125 / 250 VAC
Temperature	
125/55 °C	100 °C



GENERAL SPECIFICATION

Type	Push botton switch
Contact	SPST
Cycle No.	50.000
Cut out	19×13 mm



ENVIRONMENTAL/OPERATING SPECIFICATION

Ambient Temperature	125 °C
Glow wire test	850 °C
GWT no flame (<2sec)	750 °C



CERTIFICATION AND STANDARDS

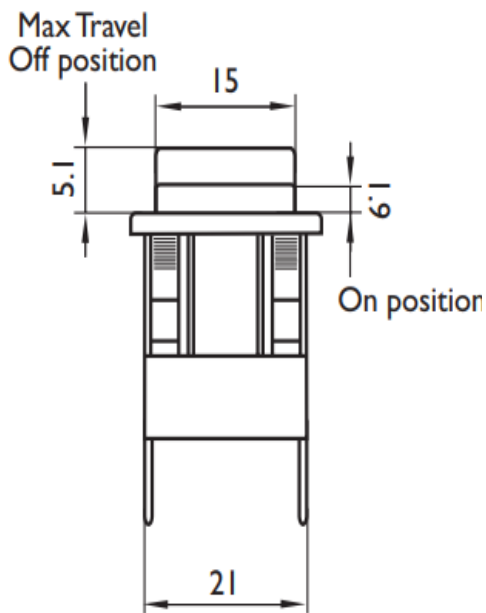
ENEC
UR
CE
RoHS



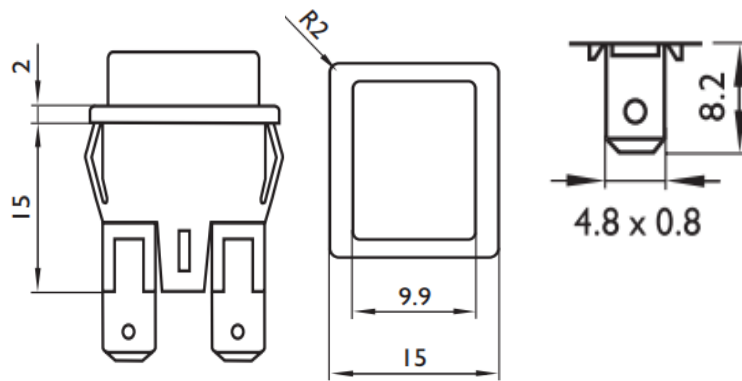
DIMENSIONS/DRAWINGS

Dimensions	mm
------------	----

Dimensions



Terminal



Wiring diagram

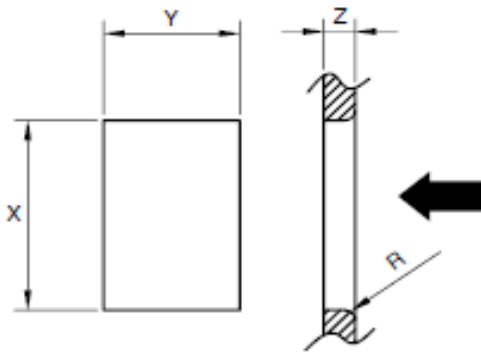




DIMENSIONS/DRAWINGS

Cut out

Height Y (mm)	Width X (mm)	Panel thickness Z (mm)
12,9+0,1	19,1+0,20	0,5-1,2
12,9+0,1	19,3+0,20	1,2-2,0
12,9+0,1	19,6+0,20	2,0-3,0





PART NUMBER TABLE

Part Number	Colour	Feature	UNSCPSC	EAN
52-4778	Black, green illuminated	Latching, quick connection, snap-fit	39122244	5053556015405
52-4779	Black, red illuminated	Latching, quick connection, snap-fit	39122244	5053556015412



OPTIONS (MOQ MAY APPLY)

Body colour	White, custom
Button colour	White, red
Marking colour	Black, white, custom
Illumination	White, orange, blue, custom
Markings	l, -, custom
Function	Various

For further information on pricing, delivery, and long-term stock agreements please get in touch with your local business development contact, telephone our main office on **01206 838000** or email **Sales@Rapidonline.com**.



Tried & trusted technology