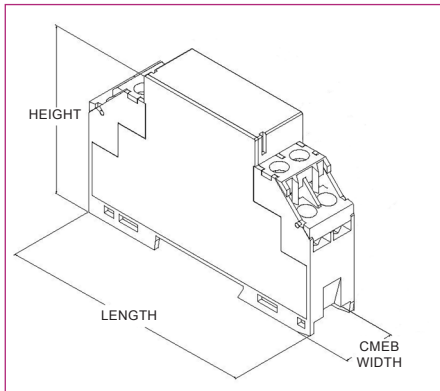
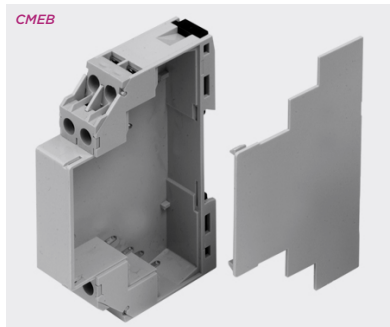


# Extendable module enclosures

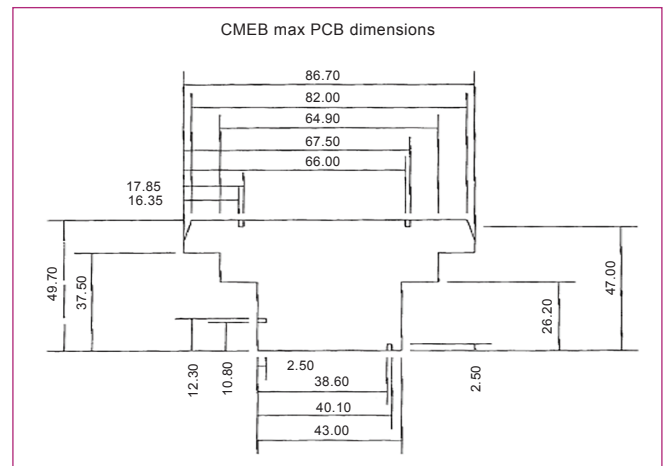
## Product overview

- 17.5mm width module enclosure, extendable enclosure has a detachable end plate
- Each module, has 8 removable screw terminals
- Top hat 35mm DIN Rail or surface mounting
- Moulded in flame retardant UL94-V0



SPECIFICATION	
Rating terminals	8A/250VAC
Cable entry	2x2.5mm <sup>2</sup> solid or standard
Terminal protection	IP20

PART NO.	LENGTH	WIDTH	HEIGHT	DESCRIPTION
CMEB	90mm	17.5mm	59mm	17.5mm module box



## KEY FEATURES

UL94-V0 | 17.5mm width module | Removable screw terminals

