

## General

- Designed for direct mounting on PCB boards
- Designed for ease of soldering and board clearing
- Selectively gold plated contacts for lower cost
- All jack housing are flame retardant plastic material



## Technical Specifications

### Electrical

Current rating 1.5A maximum  
 Voltage rating 150VAC maximum  
 Dielectric withstand voltage 1000VAC, 60Hz, 1 minute  
 Insulation resistance 500MΩ minimum  
 Surge test to 1000 volts

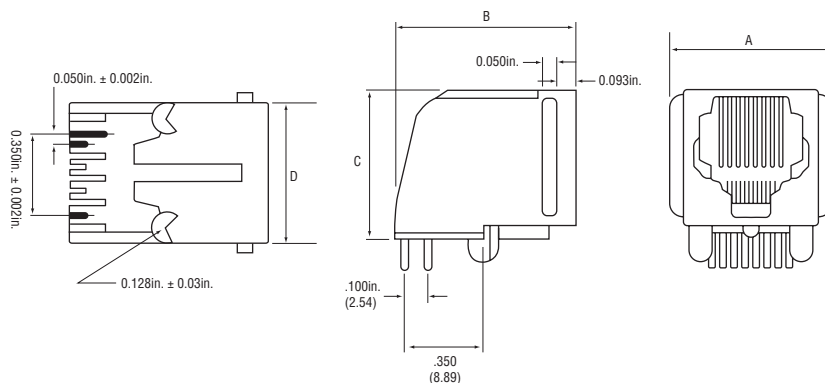
### Mechanical

Insertion force 3.58Kg (7.9lb.) maximum  
 PCB retention 0.45Kg (1lb.) pull before soldering  
 9.00Kg (20lb.) pull after soldering  
 Durability 750 mating cycles

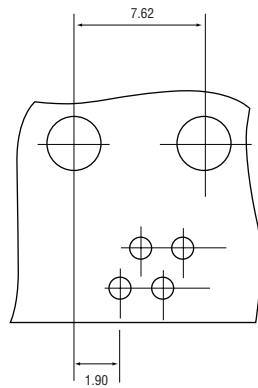
### Material & Finish

Housing NORYL "PPO" UL 94V-1 fire retardant  
 Contact 0.35mm (0.014in.) phosphor bronze alloy JIS H-3100. c5191 R-H  
 Plating 15µin. minimum hard gold over 2.45µm (100µin.) nickel tin

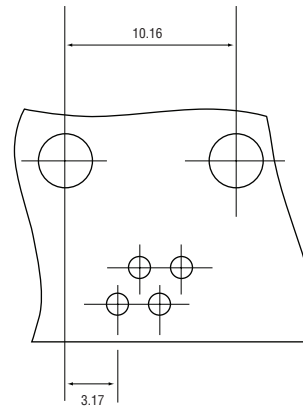
Order Code	No. of positions	No. of contacts	Dimensions (inch/mm)			
			A	B	C	D
24-0450	4	4	0.540/13.72	0.810/20.57	0.630/16	0.440/11.18
24-0460	6	6	0.620/15.75	0.810/20.57	0.630/16	0.520/13.21
24-0465	8	8	0.700/17.78	0.810/20.57	0.630/16	0.600/15.24



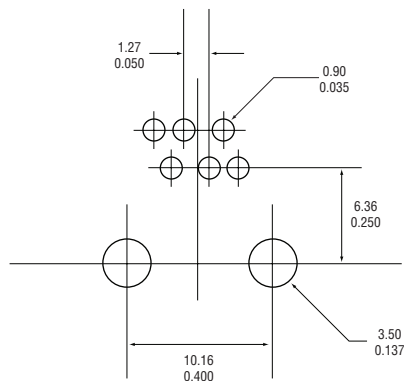
4 Pos – 4 Cts



6 Pos – 4 Cts



6 Pos – 6 Cts



8 Pos – 8 Cts

