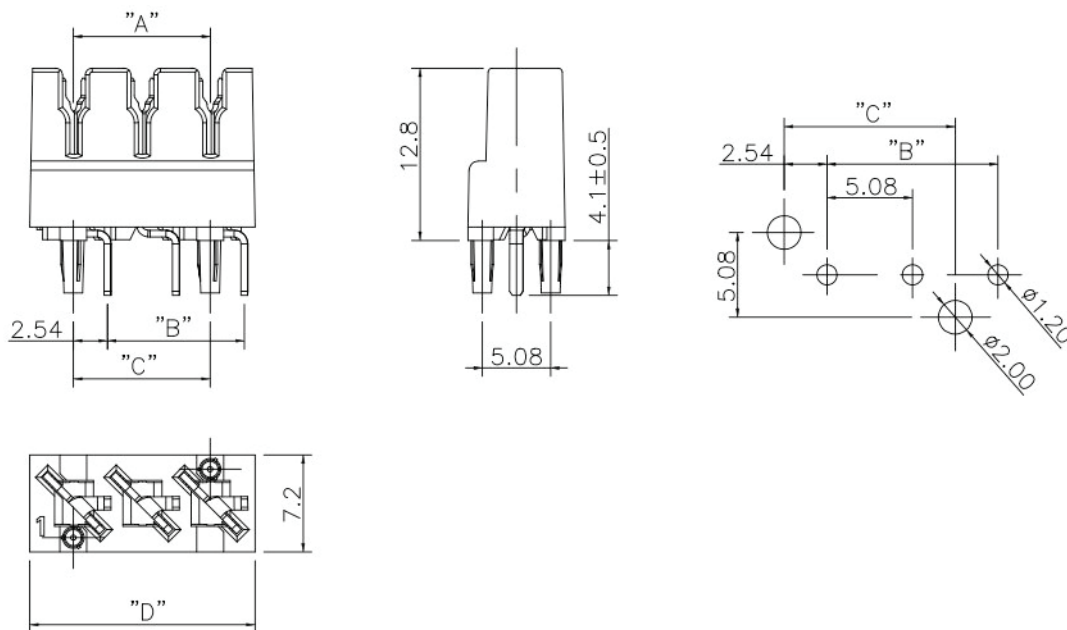


Note:

- Housing: PC UL94V-0
- Contact: Phosphor bronze with silver plating
- Option: Phosphor bronze with nickel plating
- Wire – Cable Size: Solid copper wires up to 0.4mm-0.8mm in diameter
- Wire – Insulation: PE or PVC insulated wire (100% PE/foam skin, filled/unfilled) up to 1.4mm in diameter
- Contact Resistance: 10 Milliohms maximum
- Voltage Rating: 250 V DC
- Operating Temperature: -20°C to + 125°C and humidity up to 95%
- Insulation Resistance: 500 V DC, Voltage applied 5000 Megohms minimum
- Dielectric Strength: AC 2000 VRMS



	A	B	C	D
3P	10.16	10.16	10.16	16.7
4P	15.24	15.24	15.24	21.8