


PCB TERMINAL BLOCKS

3.81mm Pitch Pluggable Rising Clamp Terminal Blocks

- 2-20 pole solid block
- Pluggable male-female connectors
- Closed headers
- Horizontal & vertical female plug styles
- Polarised mouldings
- Moulded in green UL94-V0 flame retardant PA
- Professional rising clamp terminals
- 0.2-1.0mm² (30-16AWG) solid & stranded cable
- Anti solder wicking
- Captive screws
- Guided pin alignment
-  approved

SPECIFICATION

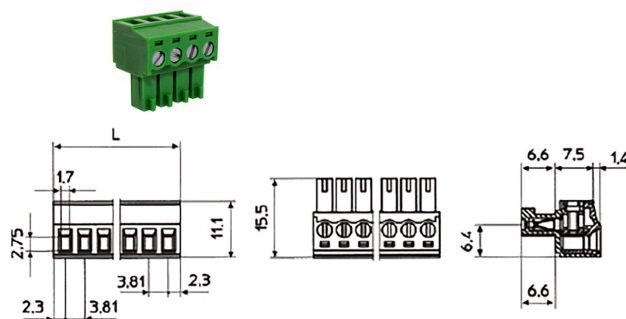
Rating	10A/200V UL=8A/300V, VDE&IMQ=10A/200V
Dielectric strength	≥2.5kV
Impulse withstand voltage	2.5kV
Working temperature	110°C
Moulding	UL94-V0 flame retardant PA
Pin/terminal	Copper alloy, NI & SN
Rising clamp	Copper alloy, NI & SN
Screw/torque	M2 steel zinc plated, 0.3Nm
Recommended PCB hole size	ø1.2mm

Female connector

TYPE NO.	POLES	LENGTH
CTB92HE/2	2	8.4mm
CTB92HE/3	3	12.2mm
CTB92HE/4	4	16mm
CTB92HE/5	5	19.8mm
CTB92HE/6	6	23.7mm
CTB92HE/7	7	27.5mm
CTB92HE/8	8	31.3mm
CTB92HE/9	9	35.1mm
CTB92HE/10	10	38.9mm
CTB92HE/11	11	42.7mm

TYPE NO.	POLES	LENGTH
CTB92HE/12	12	46.5mm
CTB92HE/13	13	50.3mm
CTB92HE/14	14	54.1mm
CTB92HE/15	15	57.9mm
CTB92HE/16	16	61.8mm
CTB92HE/17	17	65.6mm
CTB92HE/18	18	69.4mm
CTB92HE/19	19	73.3mm
CTB92HE/20	20	77mm

CTB92HE

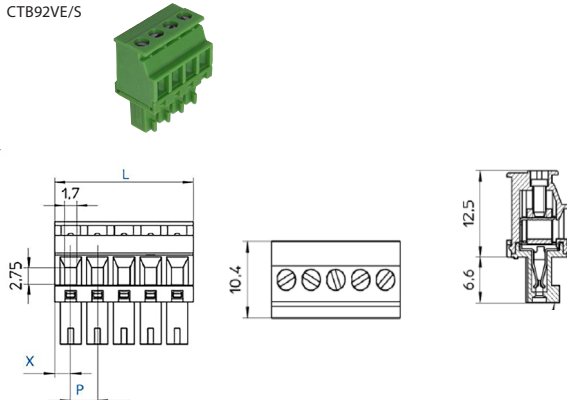


Female connector vertical (standard)

TYPE NO.	POLES	LENGTH
CTB92VE/2S	2	8.4mm
CTB92VE/3S	3	12.2mm
CTB92VE/4S	4	16mm
CTB92VE/5S	5	19.8mm
CTB92VE/6S	6	23.7mm
CTB92VE/7S	7	27.5mm
CTB92VE/8S	8	31.3mm
CTB92VE/9S	9	35.1mm
CTB92VE/10S	10	38.9mm
CTB92VE/11S	11	42.7mm

TYPE NO.	POLES	LENGTH
CTB92VE/12S	12	46.5mm
CTB92VE/13S	13	50.3mm
CTB92VE/14S	14	54.1mm
CTB92VE/15S	15	57.9mm
CTB92VE/16S	16	61.8mm
CTB92VE/17S	17	65.6mm
CTB92VE/18S	18	69.4mm
CTB92VE/19S	19	73.3mm
CTB92VE/20S	20	77mm

CTB92VE/S

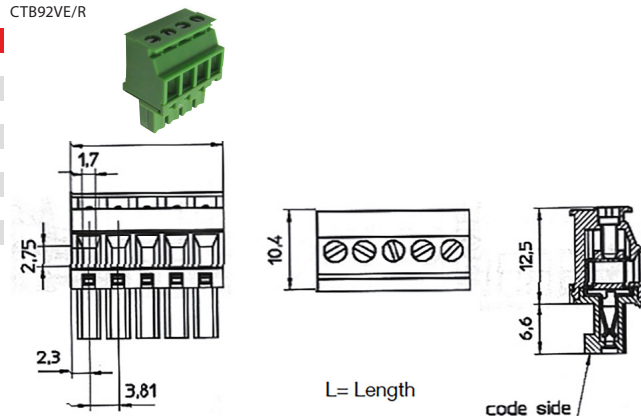


Female connector vertical (reversed)

TYPE NO.	POLES	LENGTH
CTB92VE/2R	2	8.4mm
CTB92VE/3R	3	12.2mm
CTB92VE/4R	4	16mm
CTB92VE/5R	5	19.8mm
CTB92VE/6R	6	23.7mm
CTB92VE/7R	7	27.5mm
CTB92VE/8R	8	31.3mm
CTB92VE/9R	9	35.1mm
CTB92VE/10R	10	38.9mm
CTB92VE/11R	11	42.7mm

TYPE NO.	POLES	LENGTH
CTB92VE/12R	12	46.5mm
CTB92VE/13R	13	50.3mm
CTB92VE/14R	14	54.1mm
CTB92VE/15R	15	57.9mm
CTB92VE/16R	16	61.8mm
CTB92VE/17R	17	65.6mm
CTB92VE/18R	18	69.4mm
CTB92VE/19R	19	73.3mm
CTB92VE/20R	20	77mm

CTB92VE/R



CAMDENBOSS

We operate a constant improvement policy, our products are subject to change without notice.

Ver 1.1

+44 (0)1638 716101
info@camdenboss.com
www.camdenboss.com



ISO 9001
Quality Management

ISO 14001
Environmental Management

FM 28614

EMS 613558