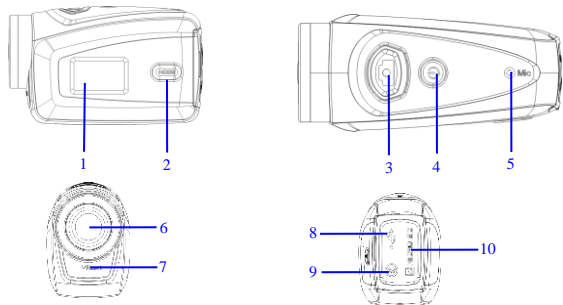


1.Appearance



- 1. Black and white digital screen
- 2. MODE key
- 3. Shutter
- 4. Power
- 5. Microphone
- 6. Lens
- 7. Reset
- 8. USB port
- 9. TV port
- 10. TF card slot

2.Key Functions and Indicators

Key/Indicator	Function
Power	Power On/Off
Shutter	Video recording mode, Recording/Stop Capture mode, taking pictures Replay mode; after connecting to TV, short press to play the recorded video; long press to enter shortcut for deletion; short press to confirm file deletion.
MODE key	Switchover of video recording and capture mode in circle and change image size; In capture mode, long press MODE key to format TF card; Replay mode: after connecting to TV, it is used for next or previous photo, or exit from deletion mode.

3.Start Operation

Battery

This camera uses the original packaged built-in rechargeable 3.7V lithium battery. Battery disassembly is prohibited.

Memory card installation

Following instructions by the card slot, it is plug the TF memory card into the card slot with metal pins inwards.

To take the memory card out, please press the TF card downward and take it out.

Please notice: UHS (ultra highspeed) cards doesn't work, as they are not 100% backward compatible

Power-on

Press and hold power key for 2 seconds and release it for power-on of the camera.

Mode switchover

After power-on, the camera enters the default mode of video recording at a default size of Lo. In video recording mode at Lo size, click MODE key to switch the size to HI; in video recording mode at HI size, click MODE key to enter capture mode at Lo size, and in capture mode at Lo size, click MODE key to return to video recording mode at Lo size.

Video recording

In video recording mode, click Shutter key to start video recording and click it again to stop recording.

Capture

In capture mode, press Shutter key to take pictures.

TV output

When output of image and audio from the camera to TV is needed, please plug common end of TV cable into TV port of the camera. The yellow port is for video input, and the red/white port is for audio.

Replay

After connecting to TV, the camera enters the replay mode. In replay mode, press MODE key to select photo or recorded video. After selecting video file, press Shutter key to play the file. During playing, press Shutter key to stop playing. In replay mode, long press Shutter key to enter shortcut deletion prompt, press Shutter key to confirm deletion, and press MODE key to exit from deletion.

Power-off

In power-on mode, long press Power key to power the camera off.

Connection to computer

Firstly power the camera on, and then connect the camera with attached USB cable to USB port of the computer. After connecting

to the computer, the camera automatically enters portable disc mode.

4.Advanced Operation

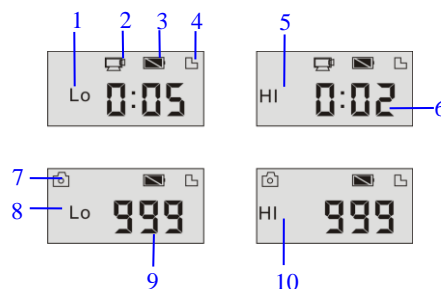
Video recording, capture mode

(With maximum 29 minutes video recording and then stop. Must be started manually

on the camera again.)

After power-on, the camera automatically enters video recording mode. In video recording mode at Lo size, click MODE key to switch the size to HI; in video recording mode at HI size, click MODE key to enter capture mode at Lo size, and in capture mode at Lo size, click MODE key to return to video recording mode at Lo size. In video recording mode, press Shutter key to start recording and press it again to stop recording. It stops automatically when they are reached 29 min of video recordings. Press MODE key to switch to Lo size. In capture mode, press Shutter key to start shooting, and press MODE key to switch to Lo size.

◆ In video recording mode, information are displayed on the screen as below:

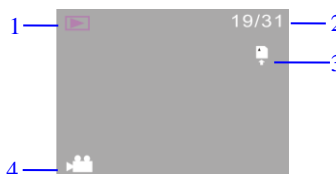


No.	Icon	Description
1	Video recording HI	Indicates high resolution in current video recording mode
2	Video recording icon	Indicates currently in video recording mode (Flashing icon means in the process of video recording)
3	Battery level	Indicates level of battery
4	TF card	Indicates a memory card available
5	Recording Lo	Indicates low resolution in current video recording mode
6	Time left for recording	Indicates time left in FT card for video recording
7	Capture mode	Indicates currently in capture mode
8	Capture HI	Indicates high resolution in current capture mode
9	Photo to be captured	Indicates quantity of photos to be captured in current internal memory
10	Capture Lo	Indicates low resolution in current capture mode

Replay Mode

After power-on and connecting to TV, the camera enters the replay mode. In replay mode, press MODE key to select photo and recorded video. After selecting video file, press Shutter key to play it. During playing, press Shutter key to Stop playing. In replay mode, long press Shutter key to enter file deletion mode. In file deletion mode, press Shutter key to confirm deletion, and press MODE key to exit from deletion.

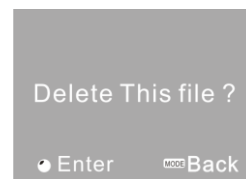
◆ In replay mode, information are displayed on the screen as below:



No.	Icon	Description
1	Replay mode	Indicates reply mode
2	File quantity	Indicates there are total 31 files, and the 19 th file is being browsed currently.
3	TF card	Indicates a memory card available
4	Icon for video recording	Indicates the current file is a video recording file.

File Deletion

After connecting to TV, the camera enters the replay mode. In replay mode, long press Shutter key to enter file deletion mode, press Shutter key to confirm deletion, and press MODE key to exit from deletion.



Warning

- Lithium battery inside!
- Do not try to open the product!
- Do not expose to heat, water, moisture, direct sunlight!
- Only charge with the original adaptor supplied with this product!



CAUTION!

ALL RIGHTS RESERVED, COPYRIGHT

DENVER ELECTRONICS A/S

DENVER®

www.denver-electronics.com



Electric and electronic equipment and included batteries contains materials, components and substances that can be hazardous to your health and the environment, if the waste material (discarded electric and electronic equipment and batteries) is not handled correctly.

Electric and electronic equipment and batteries is marked with the crossed out trash can symbol, seen below. This symbol signifies that electric and electronic equipment and batteries should not be disposed of with other household waste, but should be disposed of separately.

As the end user it is important that you submit your used batteries to the appropriate and designated facility. In this manner you make sure that the batteries are recycled in accordance with legislature and will not harm the environment.

All cities have established collection points, where electric and electronic equipment and batteries can either be submitted free of charge at recycling stations and other collection sites, or be collected from the households. Additional information is available at the technical department of your city.

Imported by:

DENVER ELECTRONICS A/S

Stavneagervej 22

DK-8250 Egaa

Denmark

www.facebook.com/denverelectronics