



TOOLCRAFT

GB ASSEMBLY INSTRUCTIONS

Trestle 200 kg

Item no. 1399645

Version 03/16

Intended use

The product is intended for carrying a load of up to 200 kg. The height is adjustable from 80 to 130 cm.

For safety and approval purposes, you must not rebuild and/or modify this product. If you use the product for purposes other than those described above, the product may be damaged. Improper use can also cause hazards such as injuries. Read the assembly instructions carefully and keep them for future reference. Make this product available to third parties only together with its assembly instructions.

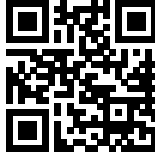
This product complies with the statutory national and European requirements. All company names and product names are trademarks of their respective owners. All rights reserved.

Delivery content

- Trestle
- Installation material
- Assembly instructions

Up-to-date Operating instructions:

1. Open www.conrad.com/downloads in a browser or scan the displayed QR code.
2. Select document type and language and enter the item number into the search field. After submitting the query you can download displayed records.



Safety instructions



Read the assembly instructions carefully and especially observe the safety information. If you do not follow the safety instructions and information on proper handling in these assembly instructions, we assume no liability for any resulting personal injury or damage to property. Such cases will invalidate the warranty/guarantee.

a) Persons / Product

- The device is not a toy. Keep it out of the reach of children and pets.
- Do not leave packaging material lying around carelessly. These may become dangerous playing material for children.
- To handle heavy loads, ask another person for help, in order to avoid injuries (e.g. back injuries).
- Verify that the shipment is complete before assembling the product. Do not assemble the product if the shipment is not complete.
- Exercise caution when assembling the product! The product has some sharp corners which pose a risk of injury! There is also a risk of your fingers getting caught.
- Only carry out the steps required for assembly. Never attempt to modify or repair the product. Do not make any modifications.
- Do not over-tighten the screws. That could cause damage to the threads and affect the strength of the screws.
- Perform the installation very carefully. Malfunctions can cause expensive consequential damage; there is also a risk of injury.
- Do not overload the product. Observe the technical data.
- Check before each use that all screws are tightened properly.
- Place the product on a flat, stable surface only.
- Do not use the product as a climbing aid, e.g. as ladder.
- Before each use, make sure the safety brackets and safety bolts are securely engaged and locked.
- Check the functioning of the product before starting to work.
- In case of doubt, do not install the product yourself; have a professional do it for you.
- Protect the product from extreme temperatures, direct sunlight, strong jolts, high humidity, moisture, flammable gases, vapours and solvents.

- If it is no longer possible to operate the product safely, take it out of operation and protect it from any accidental use. Safe operation can no longer be guaranteed if the product:
 - is visibly damaged,
 - is no longer working properly,
 - has been stored for extended periods in poor ambient conditions or
 - has been subjected to any serious transport-related stresses.
- Please handle the product carefully. Jolts, impacts or a fall even from a low height can damage the product.

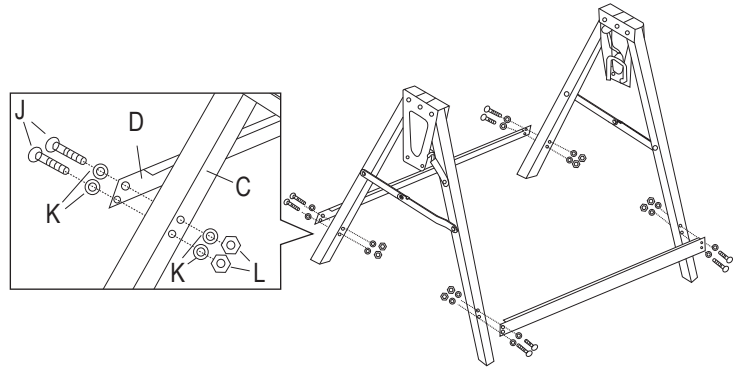
b) Miscellaneous

- Contact an expert if you are in doubt regarding the function, safety or installation of the product.
- Maintenance work, adjustments and repairs may be carried out only by a professional or at a specialist workshop.
- If you have questions which remain unanswered by these assembly instructions, contact our technical support service or other technical personnel.

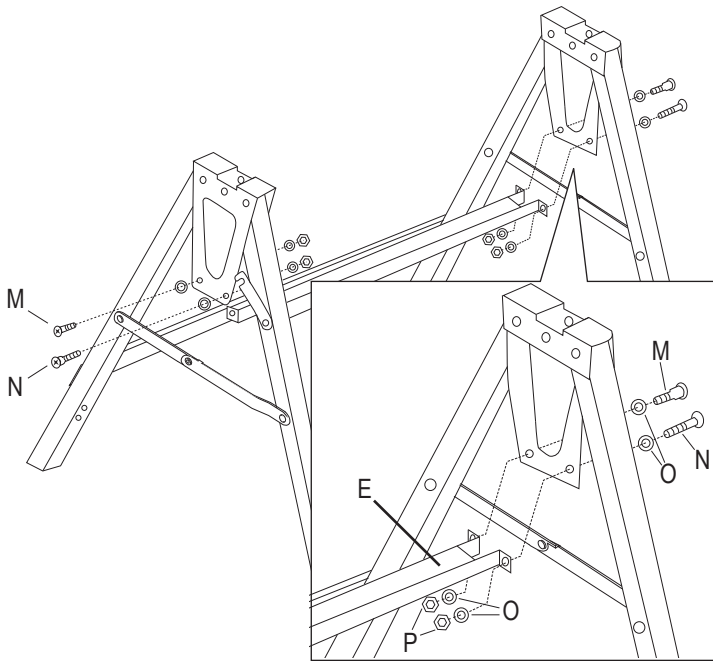
Parts list

A		x 1	I		8mm	x 4
B		x 2	J		M6x35mm	x 8
C		x 2	K		6mm	x 16
D		x 2	L		6mm	x 8
E		x 1	M		M5x12mm	x 2
F		x 2	N		M5x12mm	x 2
G		x 4	O		5mm	x 8
H		x 4	P		5mm	x 4

Installation



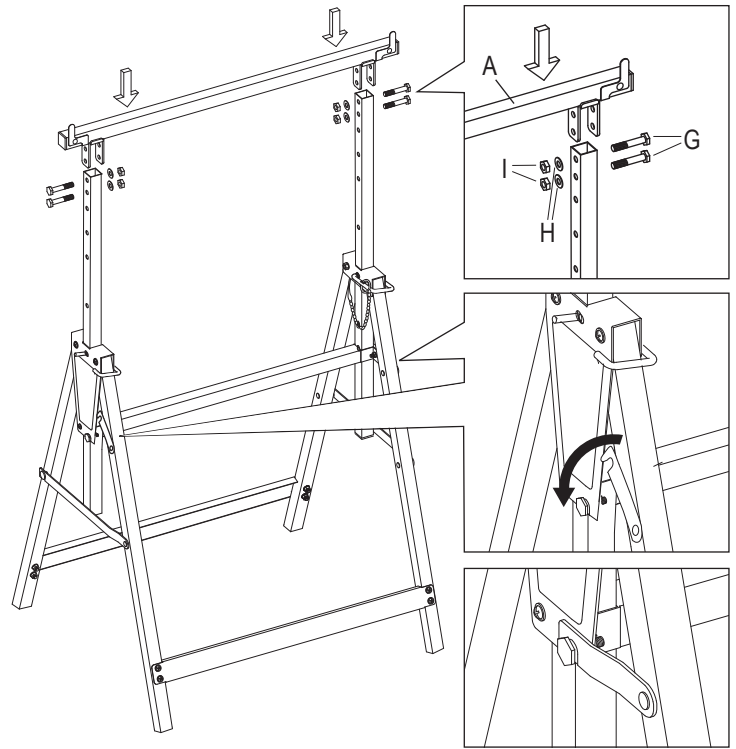
- Spread the legs (C) apart.
- Screw the lateral parts (D) onto the exterior of the legs. To do so, use the screws (J), washers (K) and nuts (L).



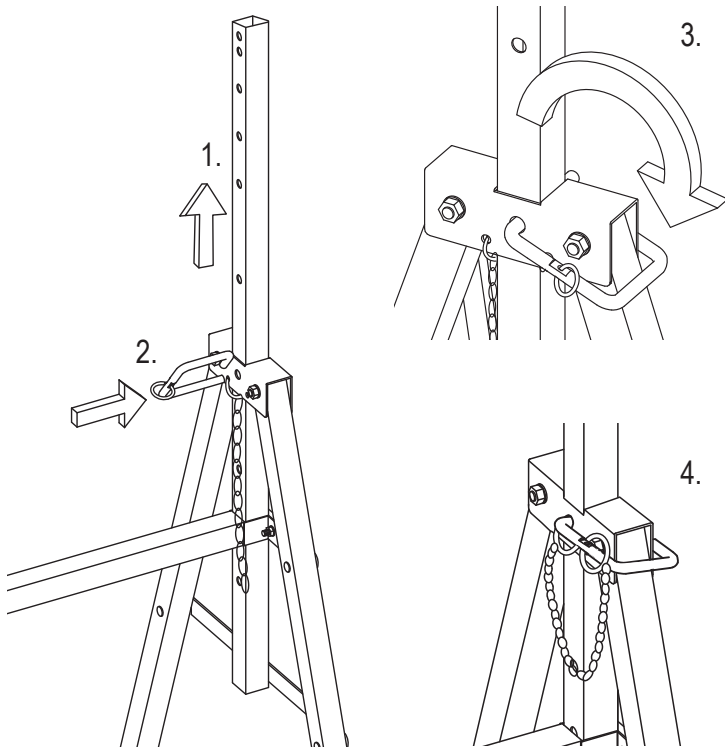
- Connect the center pipe (E) to the mounting plates of both leg components. To do so, use the screws (M and N), washers (O) and nuts (P).



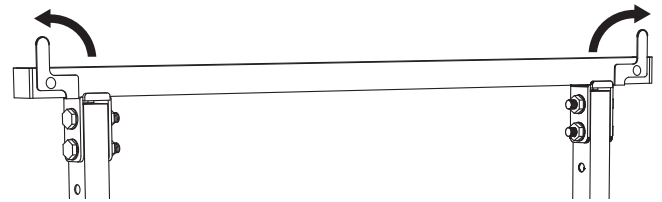
Ensure correct positioning of the screws. The screws (N) must be attached directly next to the locking hook. Otherwise the locking hook will not be able to engage later.



- Connect the cross member (A) to the extension pipes. To do so, use the screws (G), washers (H) and nuts (I).
- Secure the position of the legs with the locking hooks.



- Slide the extension pipe (B) from below through the opening between center pipe and mounting plate.
- There are two rings located on the chain of the safety bolt (F). Attach one ring to one of the small holes on the interior side of the mounting plate. Attach the safety bolt to the other ring.
- Secure the extension pipe with the safety bolt.
- Repeat the same steps for the other side.



- If needed, fold the hooks on the cross member up.

Maintenance and cleaning

- Except for occasionally retightening screws, the product is maintenance-free.
- Never use aggressive cleaning agents, rubbing alcohol or other chemical solutions, as those could damage the surfaces or even affect the functionality.
- Use a dry, soft and clean cloth for cleaning.

Disposal



At the end of its service life, dispose of the product in accordance with applicable regulatory guidelines.

You thus fulfill your statutory obligations and contribute to the protection of the environment.

Technical data

Load.....	200 kg
Square pipe dimensions.....	25 x 25 x 1.2 mm
Dimensions (W x H x D).....	68 x (80 – 130) x 58 cm (unfolded)
	68 x 82.5 x 15 cm (folded)
Weight.....	6.1 kg

This is a publication by Conrad Electronic SE, Klaus-Conrad-Str. 1, D-92240 Hirschau (www.conrad.com). All rights including translation reserved. Reproduction by any method, e.g. photocopy, microfilming, or the capture in electronic data processing systems require the prior written approval by the editor. Reprinting, also in part, is prohibited. This publication represents the technical status at the time of printing.