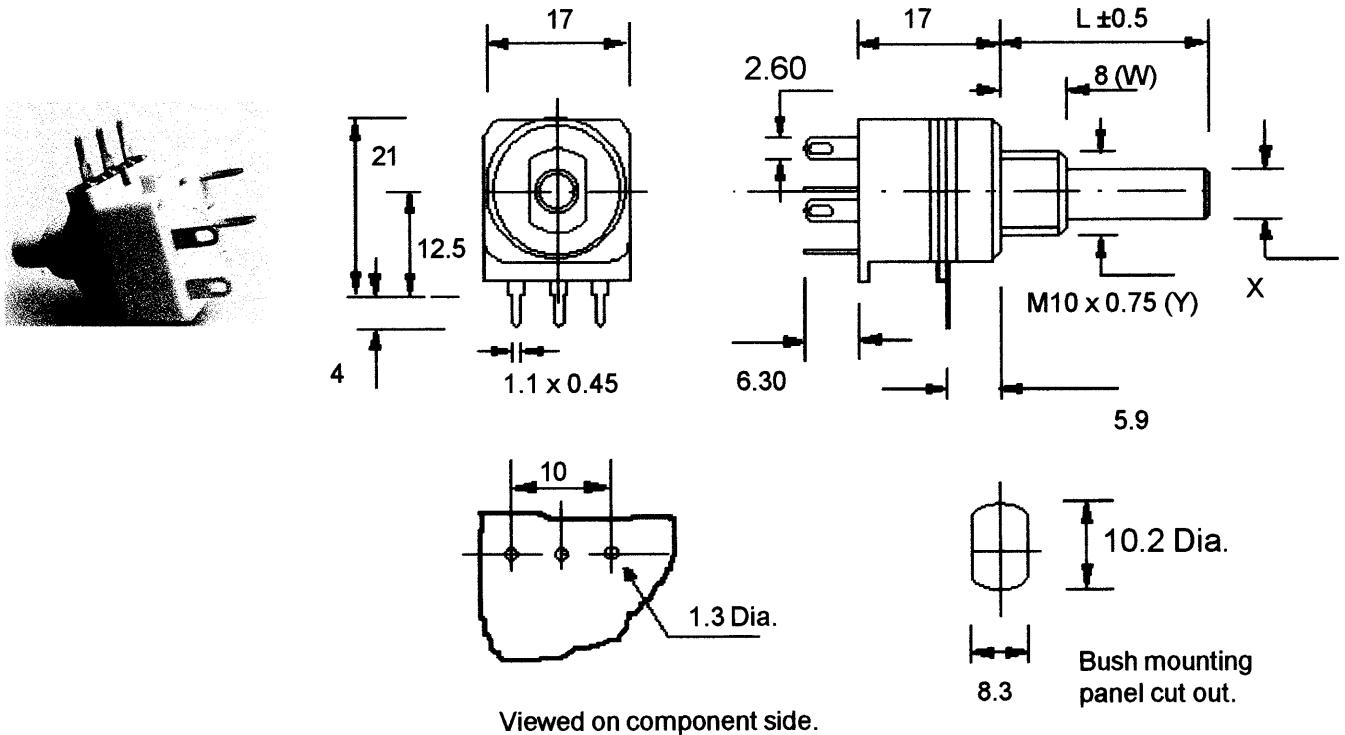


4 Amp. DPST switch mounted on an E16 potentiometer with PC terminals.  
(Approved to EN 61058-1)



SPINDLE VARIATIONS*		BUSH VARIATIONS		
PLASTIC	X (mm)	Y (mm)	W (mm)	Type
Fixed	4	M10 x 0.75	8	Plastic
Fixed	6	M10 x 0.75	8	Plastic
Fixed	6.35	M10 x 0.75	8	Plastic

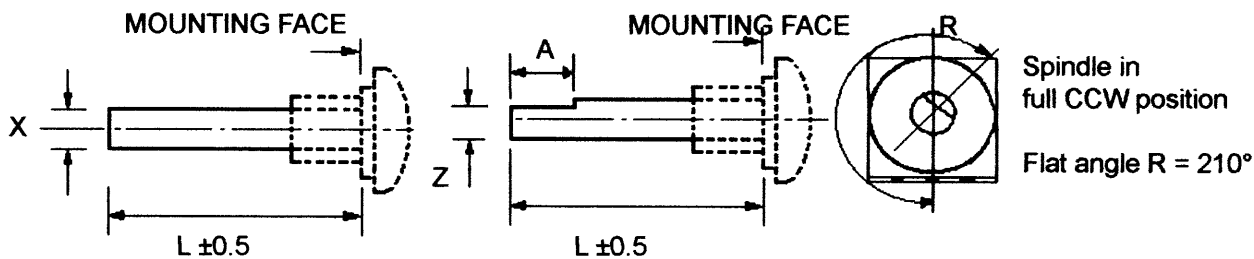
\* Flatted spindles are available.

See E16 ECO Potentiometer leaflets for more information on PC16ECO potentiometer

Switch Mechanical and Electrical Specification - see separate leaflet.

This information is supplied in good faith but the customer is politely reminded that it is their responsibility to check the suitability of our products for their particular application. Please note that all dimensions are for reference purposes only and, as it is the Company's policy to continuously improve our products, we reserve the right to incorporate changes without notice.

**Omeg Ltd.**  
 Imberhorne Industrial Estate  
 East Grinstead  
 West Sussex RH19 1RJ  
 ENGLAND  
 Tel. +44 (0) 1342 410420 Fax. +44 (0) 1342 316253  
 E-mail [omeg.sales@omeg.co.uk](mailto:omeg.sales@omeg.co.uk)  
<http://www.omeg.co.uk>



TYPE	DESC. (X)	L (mm)
F21	4 mm Dia. Plastic	Max. 35
F1	6 mm Dia. Plastic	Max. 65
F41	6.35 mm Dia Plastic	Max. 65

All spindles fixed

TYPE	DESC. (X)	L (mm)	Flat (ZxA)
F22	4 mm Dia. Plastic	Max. 35	3 x 8,5
F13	6 mm Dia. Plastic	Max. 65	4 x 8
F2	6 mm Dia. Plastic	Max. 65	4 x 12
F14	6 mm Dia. Plastic	Max. 65	5 x 8
F4		Max. 65	5 x 10
F3		Max. 65	5 x 15
F11	6 mm Dia. Plastic	Max. 65	4,6 x 15
F42	6.35 mm Dia Plastic	Max. 65	5,5 x 10

This information is supplied in good faith but the customer is politely reminded that it is their responsibility to check the suitability of our products for their particular application. Please note that all dimensions are for reference purposes only and, as it is the Company's policy to continuously improve our products, we reserve the right to incorporate changes without notice.

**Omeg Ltd.**  
 Imberhome Industrial Estate  
 East Grinstead  
 West Sussex RH19 1RJ  
 ENGLAND  
 Tel. +44 (0) 1342 410420 Fax. +44 (0) 1342 316253  
 E-mail sales@omeg.co.uk  
<http://www.omeg.co.uk>