

## 24mm Rotary Type, Metal Shaft Series

### Application

TV/Video, Audio, Home appliance, Industrial control

### Feature

- ✓ Suitable for various applications



### ■Specification

Total Rotational Angle	300±5°
Maximum Operating Voltage	250V AC
Insulation Resistance	100MΩ at DC500V
Dielectric Strength	AC 500V for 1 minute
Rotational Torque	20-200 gf.cm
Rotational Stop Strength of the Shaft	6kgf for 60 sec
Rotation Life	15,000 cycles

### ■How to order

RV24AF – 10 D2 – 15F – A50K

[Model](#)

#### Bushing Type

Order Code	Description
D2	3/8"x0.75, 6.5mm
Blank	M8x0.75, 6.5 mm

[Metal Shaft Type](#)

#### Taper and Resistance Value

Order Code	Taper	Resistance Value
A100K	Log/A	100KΩ
B1M	Linear/B	1MΩ
C500K	Rev-log/C	500KΩ

Taper: A, B and C


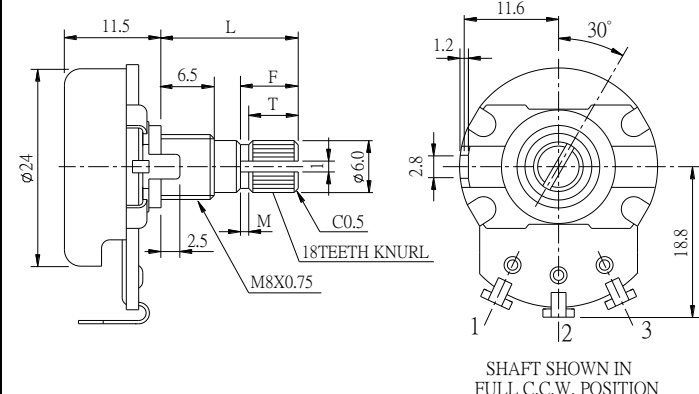
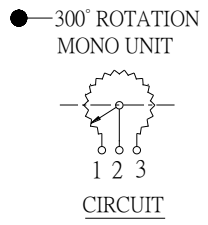

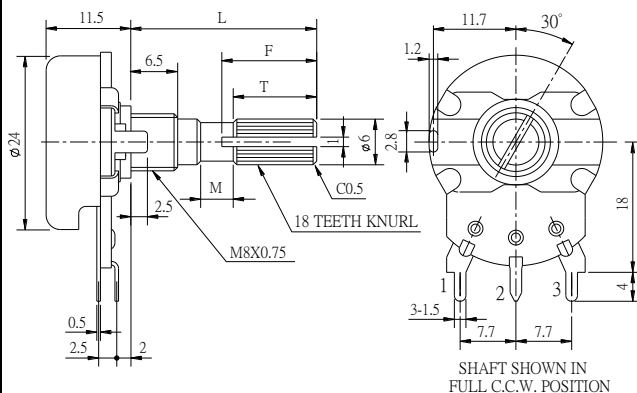
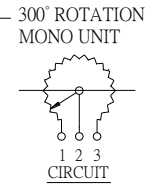
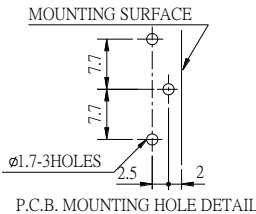
Resistance Value: 1KΩ to 500KΩ and 1MΩ

\*Contact us for other requirements.

## 24mm Rotary Type, Metal Shaft Series


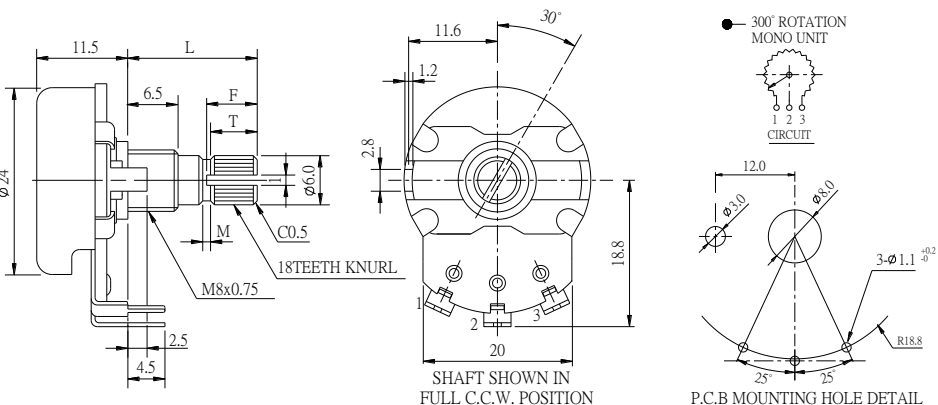

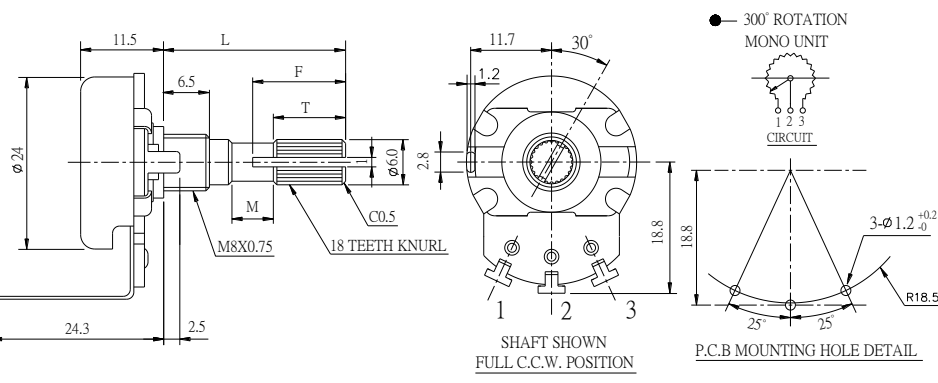

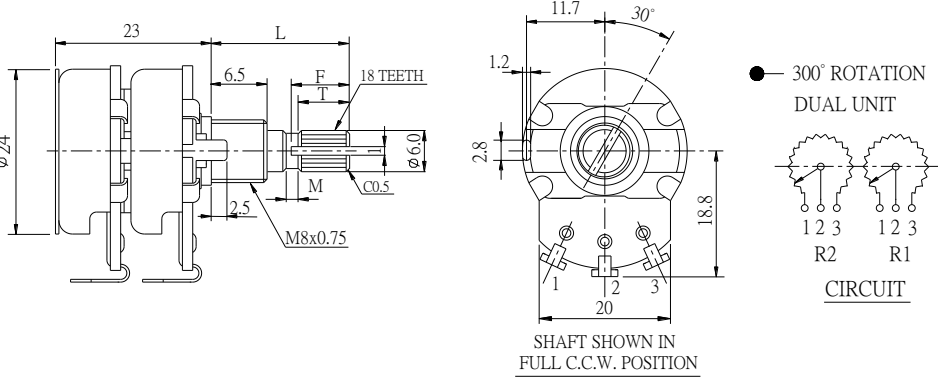
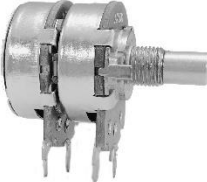
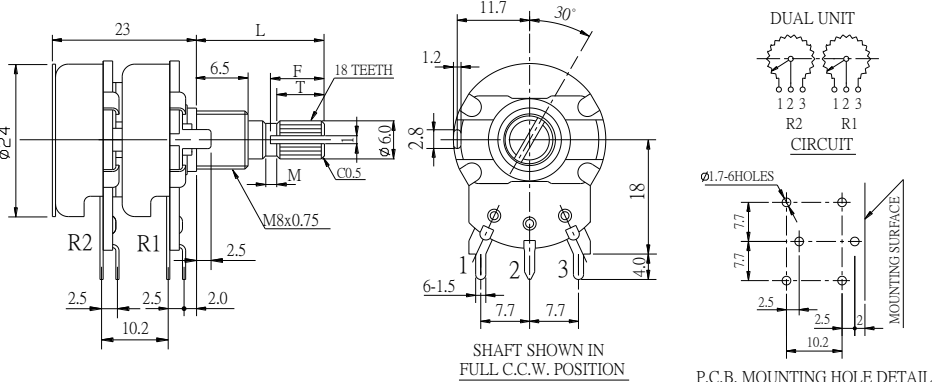
### Model Description

Model	Number of Unit	Switch Function	Terminal Type	With Sleeve or Bushing	Rotational Angle
<a href="#">RV24AF-10</a>	Single unit	N/A	Solder lug	Metal bushing	300°±5°
<a href="#">RV24AF-22</a>	Single unit	N/A	Horizontal	Metal bushing	300°±5°
<a href="#">RV24AF-30</a>	Single unit	N/A	Vertical (Front)	Metal bushing	300°±5°
<a href="#">RV24AF-40</a>	Single unit	N/A	Vertical	Metal bushing	300°±5°
<a href="#">RV24BF-10</a>	Dual unit	N/A	Solder lug	Metal bushing	300°±5°
<a href="#">RV24BF-22</a>	Dual unit	N/A	Horizontal	Metal bushing	300°±5°

Order Code	Outline Drawing
RV24AF-10 	 <p>SHAFT SHOWN IN FULL C.C.W. POSITION</p>  <p>● 300° ROTATION MONO UNIT CIRCUIT</p>
RV24AF-22 	 <p>SHAFT SHOWN IN FULL C.C.W. POSITION</p>  <p>● 300° ROTATION MONO UNIT CIRCUIT</p>  <p>MOUNTING SURFACE P.C.B. MOUNTING HOLE DETAIL</p>

[Back to top](#)

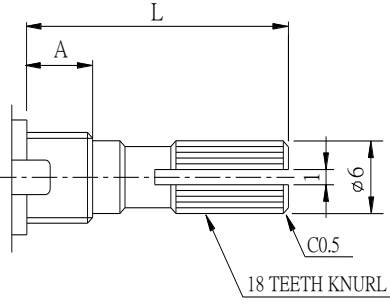
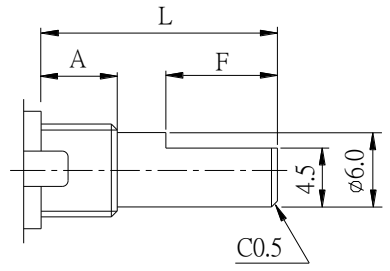
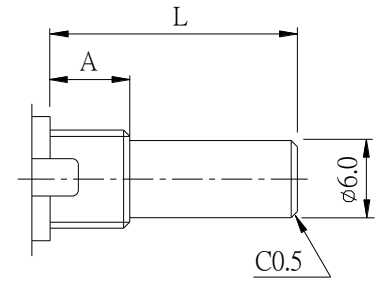
## 24mm Rotary Type, Metal Shaft Series

Order Code	Outline Drawing
<p>RV24AF-30</p> 	 <p>SHAFT SHOWN IN FULL C.C.W. POSITION</p> <p>P.C.B MOUNTING HOLE DETAIL</p>
<p>RV24AF-40</p> 	 <p>SHAFT SHOWN FULL C.C.W. POSITION</p> <p>P.C.B MOUNTING HOLE DETAIL</p>
<p>RV24BF-10</p> 	 <p>SHAFT SHOWN IN FULL C.C.W. POSITION</p> <p>CIRCUIT</p>
<p>RV24BF-22</p> 	 <p>SHAFT SHOWN IN FULL C.C.W. POSITION</p> <p>P.C.B. MOUNTING HOLE DETAIL</p>

[Back to top](#)

## 24mm Rotary Type, Metal Shaft Series

### ■ Metal Shaft Type

<p><b>K Type</b></p> 	<p>A : 6.5mm</p> <table border="1" data-bbox="909 436 1157 683"> <thead> <tr> <th>Order Code</th> <th>L</th> </tr> </thead> <tbody> <tr> <td>15K</td> <td>15</td> </tr> <tr> <td>20K</td> <td>20</td> </tr> <tr> <td>25K</td> <td>25</td> </tr> <tr> <td>30K</td> <td>30</td> </tr> </tbody> </table>	Order Code	L	15K	15	20K	20	25K	25	30K	30
Order Code	L										
15K	15										
20K	20										
25K	25										
30K	30										
<p><b>F Type</b></p> 	<p>A : 6.5mm</p> <table border="1" data-bbox="909 907 1157 1153"> <thead> <tr> <th>Order Code</th> <th>L</th> </tr> </thead> <tbody> <tr> <td>15F</td> <td>15</td> </tr> <tr> <td>20F</td> <td>20</td> </tr> <tr> <td>25F</td> <td>25</td> </tr> <tr> <td>30F</td> <td>30</td> </tr> </tbody> </table>	Order Code	L	15F	15	20F	20	25F	25	30F	30
Order Code	L										
15F	15										
20F	20										
25F	25										
30F	30										
<p><b>R Type</b></p> 	<p>A : 6.5mm</p> <table border="1" data-bbox="909 1388 1157 1635"> <thead> <tr> <th>Order Code</th> <th>L</th> </tr> </thead> <tbody> <tr> <td>15R</td> <td>15</td> </tr> <tr> <td>20R</td> <td>20</td> </tr> <tr> <td>25R</td> <td>25</td> </tr> <tr> <td>30R</td> <td>30</td> </tr> </tbody> </table>	Order Code	L	15R	15	20R	20	25R	25	30R	30
Order Code	L										
15R	15										
20R	20										
25R	25										
30R	30										

Design and specifications presented here are for the standard parts only. Please kindly contact us for your special requests and ask for the current technical specifications before purchase and/or use.

[Back to top](#)