

SP-EVCP-T

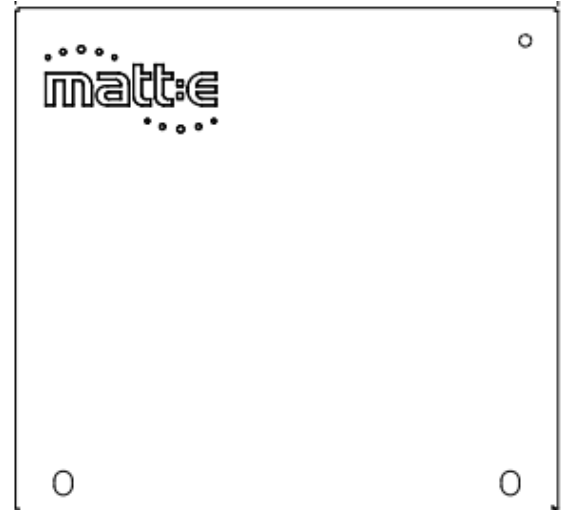
Single Phase Voltage Monitoring and Protection Unit

Are you installing electric vehicle charge points onto Single Phase PME infrastructures?

The **SP-EVCP-T** from matt:e is a simple single connection unit, which allows for the connection of 1 x 32amp single phase charge point to the existing PME earthing facility.

The unit incorporates our own unique monitoring device which disconnects all poles including CPC in the event of a fault.

The matt:e **SP-EVCP-T** technology does not require earth rods or measuring electrodes to function correctly.



Product Features

- Built in matt:e technology
- BS; 7671 18th edition compliant
- **NO EARTH ELECTRODES REQUIRED**
- Suitable for 1 x 32amp load
- Standard 2 Year parts warranty
- Simple wire in wire out connection
- Standard mild steel IP4X enclosure
- Designed and Built in the UK

...Simplifying EV connection

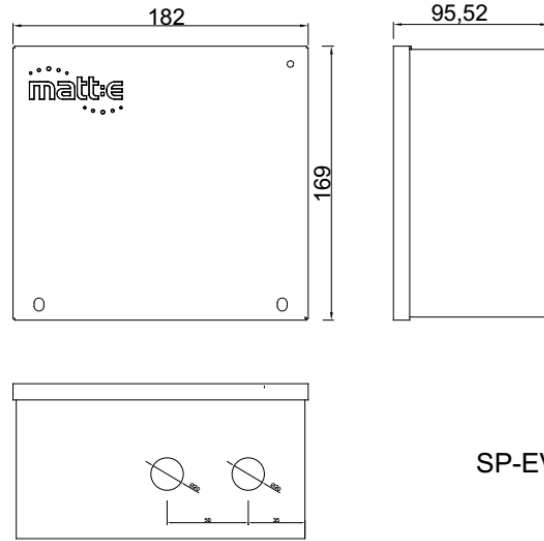
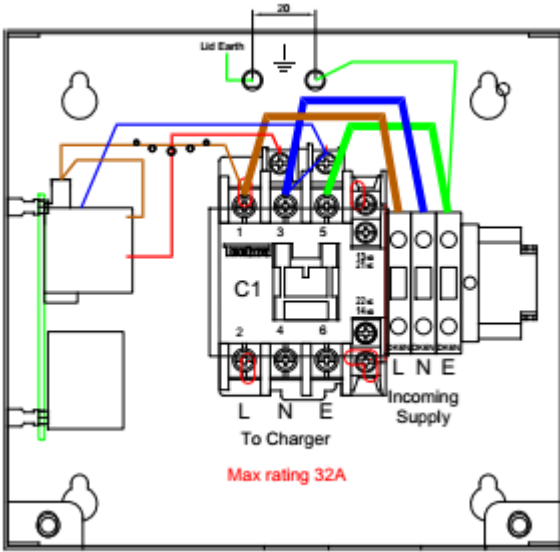


t: 01543 227290 e: info@matt-e.co.uk w: www.matt-e.co.uk
matt:e Ltd, Unit 5 Common Barn Farm Tamworth Road Lichfield WS14 9PX



SP-EVCP-T

Dimensions and Specifications



SP-EVCP-T

Description	Single Phase Voltage Monitoring and Protection Unit
Input Volts	Nominal input voltage Single Phase 230V 50Hz
Max Load	32 amps
Cable Entry Facility	Bottom, 2 x 20mm
Terminal Capacity	10.0mm ²
Dimensions (H x W x D)	169mm x 182mm x 111mm
Weight	Approximately 3kG
Enclosure	Mild Steel Powder Coated
Ingress Protection	IP4X
Warranty	The matt:e <i>SP-EVCP-T</i> is guaranteed for a period of 2 years from the date of purchase. This warranty is limited to the replacement of faulty components only.

...Simplifying EV connection