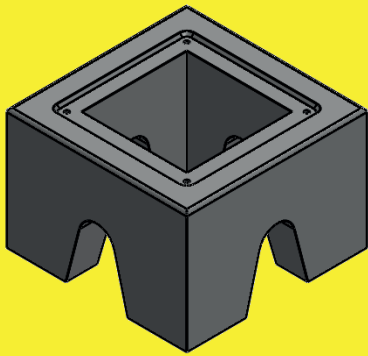




EV BLOCKS.COM

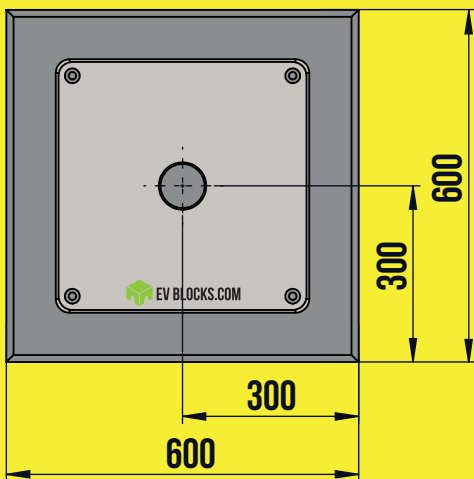
# ELECTRIC VEHICLE CHARGER INSTALLATION BLOCKS

## 600 X 600 DATA SHEET



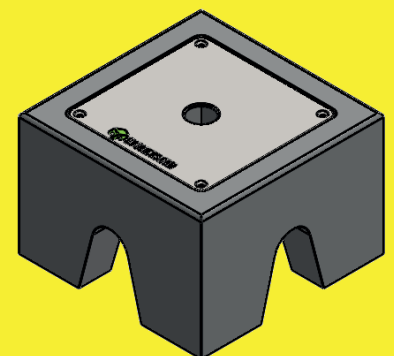
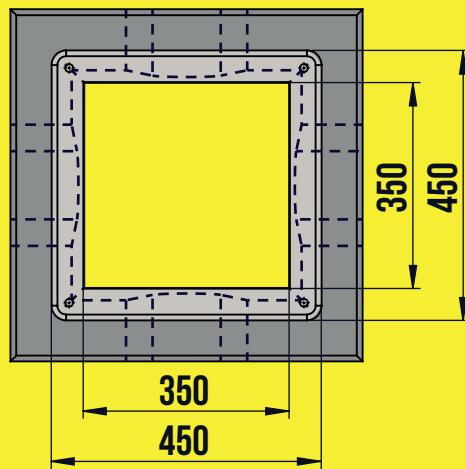
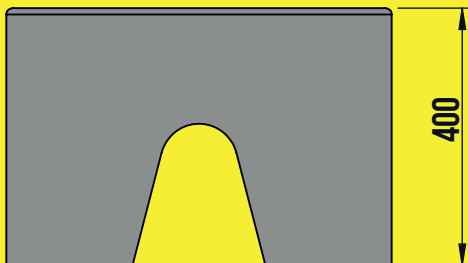
### B600 - EV BLOCK

- Pre-Cast Concrete EV charger base with a universal adaptor plate
- Blocks can be fitted for future-proofing an installation
- Uniform finish every time
- 100% Recyclable
- Can be installed in any weather conditions



LENGTH	600MM
WIDTH	600MM
HEIGHT	400MM

BLOCK WEIGHT	177.5KG
PLATE WEIGHT	4.1KG
EV BLOCK TOTAL WEIGHT	181.6KG



ALL MEASUREMENTS IN MILLIMETRES

01733 310 243  
info@evblocks.com



**ENGINEERED  
TO SAVE YOU TIME  
AND MONEY**