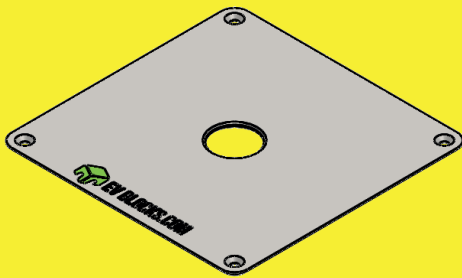




EV BLOCKS.COM

ELECTRIC VEHICLE CHARGER INSTALLATION BLOCKS

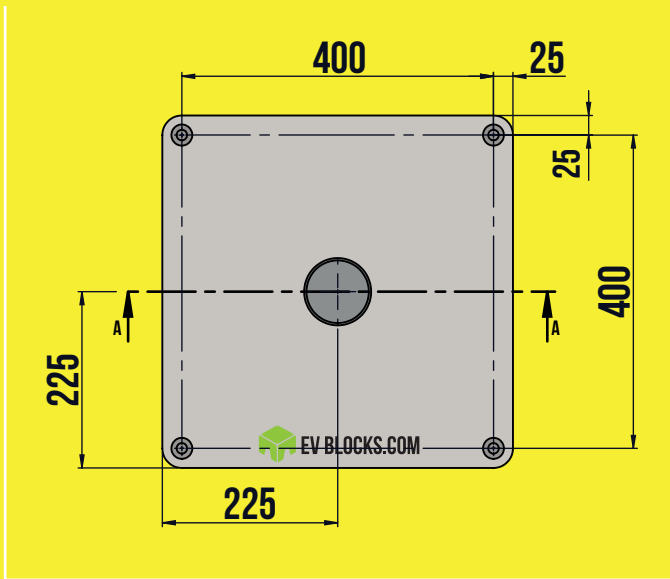
P600 DATA SHEET



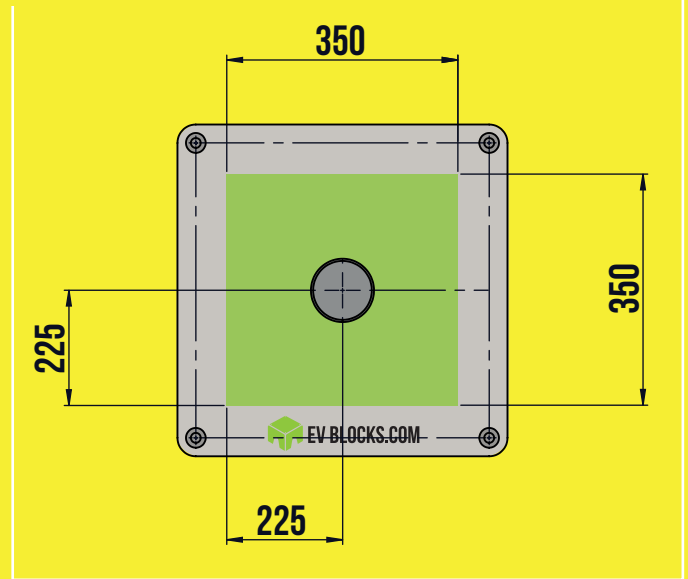
P600 - ADAPTABLE PLATE

- Universal adaptor plate made from anodized aluminum
- Future-Proof Design
- Uniform finish every time
- 100% Recyclable

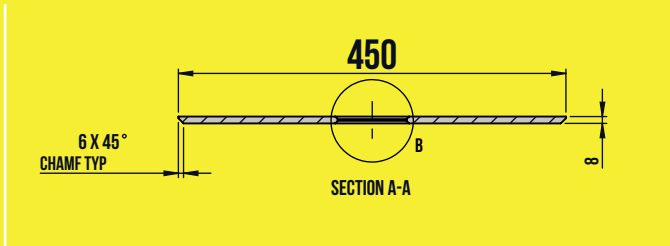
TOTAL DIMENSIONS



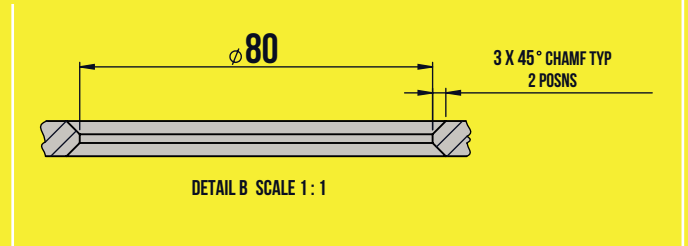
SPACE AVAILABLE FOR FIXINGS



CROSS-SECTION



CENTRE HOLE



ALL MEASUREMENTS IN MILLIMETRES

01733 310 243
info@evblocks.com



**ENGINEERED
TO SAVE YOU TIME
AND MONEY**