

SP-IC60-SPD, SP-IC80-SPD, SP-IC100-SPD

Single-phase Automatic Reset PEN Fault Protection with load curtailment and Type 2 SPD

The SP-ICXX-SPD single-phase protection device offers a compliant, simple, single connection centre, for EV charge point installations, allowing connection to the existing TN-C-S earthing facility without the use earth electrodes. Designed to facilitate compliance with BS:7671 2018, Amendment 2: 2022 Regulation 722.411.4.1 (iv).

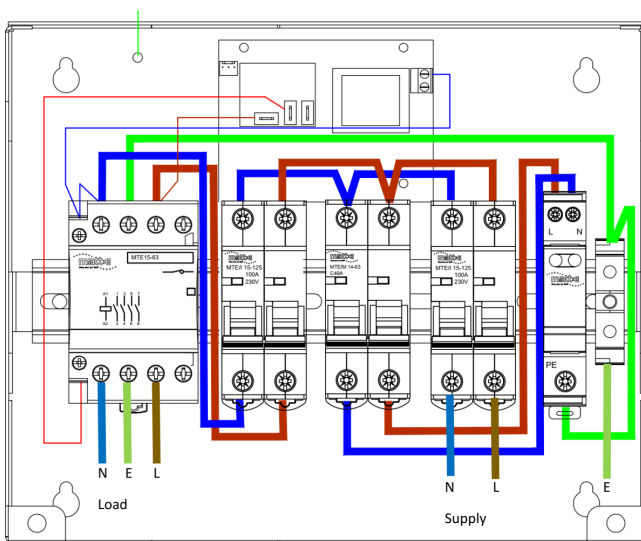
The SP-ICxx-SPD units come complete with a Type 2 SPD, and has the additional functionality for load curtailment, in line with Regulation 722.311.20. Isolating the charge point from the supply once the household consumption rises above the pre-set limit, and automatically restores the power to the charge point when the load falls back within a satisfactory level.

Please note, the load curtailment limit can be set at either, 60A, 80A, or 100A and must be selected at the time of order.



Product Features and benefits

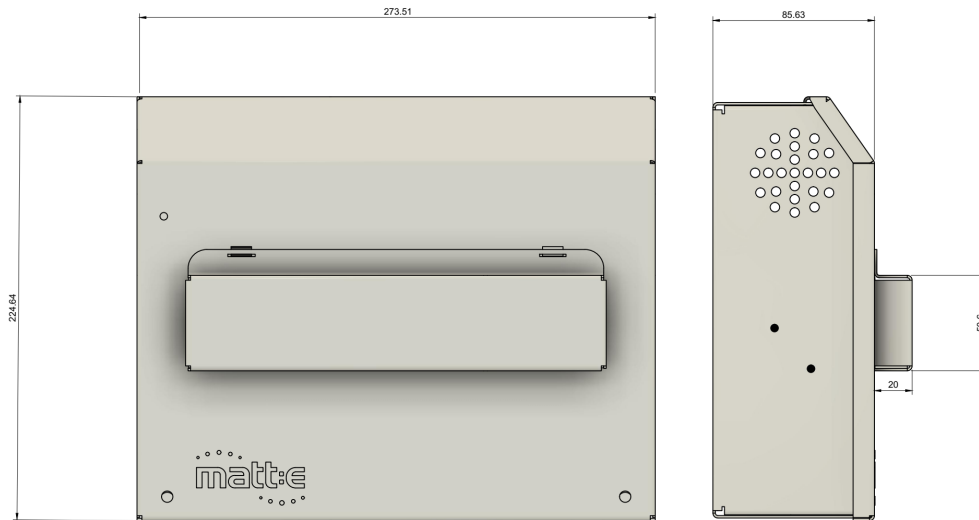
- Built in matt:e PEN Fault Protection
- NO EARTH ELECTRODES REQUIRED
- Helps reduce disruptive and costly groundworks
- Removes the risk of striking buried services
- Simple wire in wire out connection
- For loads up to 7.4kW
- Type 2 SPD
- Load curtailment
- Standard 1 Year parts warranty



...Simplifying EV connection

SP-IC60-SPD, SP-IC80-SPD, SP-IC100-SPD

Single-phase Automatic Reset PEN Fault Protection with load curtailment and Type 2 SPD



Description	Single-phase Voltage Monitoring and Protection Unit	
Certification	UKCA, CE	
Input Volts	Nominal input voltage single-phase 230V 50Hz	
Max Load	7,4kW	
Terminal Capacity	In	Out
	L/N: 2.5mm ² -25mm ²	L/N 2.5mm ² - 10mm ²
	E: 2.5mm ² —16mm ²	E: 2.5mm ² - 10mm ²
Dimensions (H x W x D)	225mm x 275mm x 85mm	
Weight	Approximately 5kG	
Enclosure	Mild steel	
Ingress Protection	IP2X	
Warranty	The matt:e <i>SP-ICxx-SPD</i> is guaranteed for a period of 1 years from the date of purchase. This warranty is limited to the replacement of faulty components only.	

...Simplifying EV connection