

# XUM2AKCNL2T

photo-electric sensor - XUM - emitter -  
12..24VDC - cable 2m



## Main

Range of product	OsiSense XU
Series name	General purpose single mode
Electronic sensor type	Photo-electric sensor transmitter
Sensor name	XUM
Sensor design	Miniature
Detection system	Thru beam
Material	Plastic
Supply circuit type	DC
Wiring technique	2-wire
Electrical connection	Cable
Cable length	2 m
Product specific application	-
Emission	Red thru beam
[Sn] nominal sensing distance	15 m thru beam need a receiver

## Complementary

Enclosure material	PBT
Lens material	PMMA
Add on input	Test by emission breaking
Wire insulation material	PVC
Status LED	1 LED (orange) for supply on
[Us] rated supply voltage	12...24 V DC with reverse polarity protection
Supply voltage limits	10...30 V DC
Switching capacity in mA	<= 100 mA (overload and short-circuit protection)
Switching frequency	<= 1000 Hz
Voltage drop	<= 3 V (closed state)
Current consumption	11 mA (no-load)
Delay first up	< 100 ms
Delay response	0.5 ms
Delay recovery	0.5 ms
Setting-up	Sensitivity adjustment
Depth	20 mm
Height	34 mm
Width	11 mm
Product weight	0.063 kg

## Environment

Product certifications	CE CTick CULus
Ambient air temperature for operation	-30...60 °C
Ambient air temperature for storage	-40...70 °C
Vibration resistance	7 gn, amplitude = +/- 1.5 mm (f = 10...55 Hz) conforming to IEC 60068-2-6
Shock resistance	30 gn (duration = 11 ms) conforming to IEC 60068-2-27
IP degree of protection	IP67 conforming to IEC 60529 IP65 conforming to IEC 60529

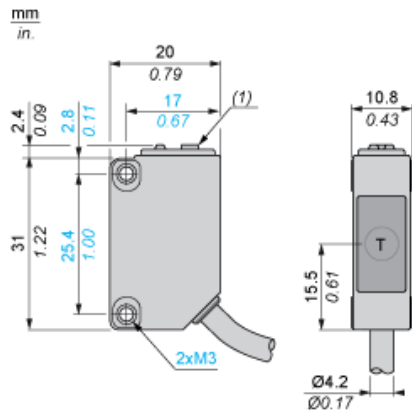
## Offer Sustainability

---

Sustainable offer status	Not Green Premium product
RoHS (date code: YYWW)	Compliant - since 1152 - <a href="#">Schneider Electric declaration of conformity</a>

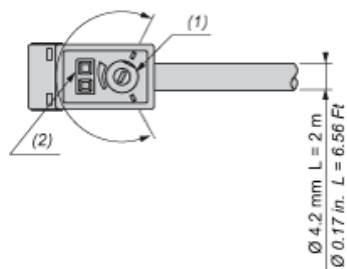
---

Transmitter's Dimensions



T : Transmission  
(1) Potentiometer

## Mounting and Clearance



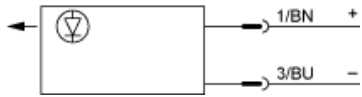
- (1) Adjustment potentiometer
- (2) Power on LED

---

## Connections and Schemes

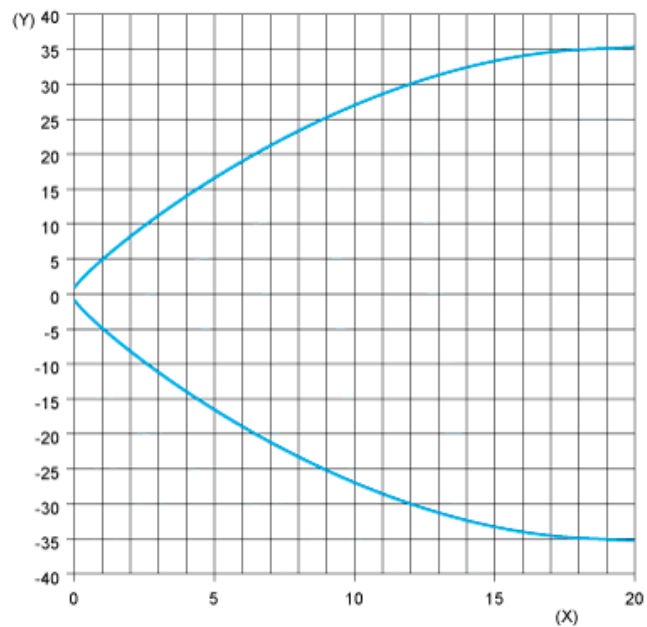
---

### Transmitter DC



BN : Brown  
BU : Blue

## Detection Curves



(Y) Parallel movement (cm)

(X) Distance (m)